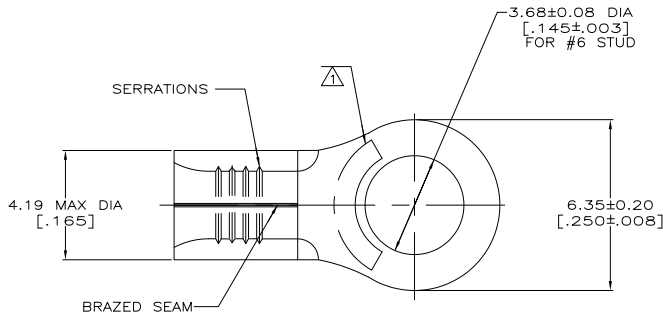


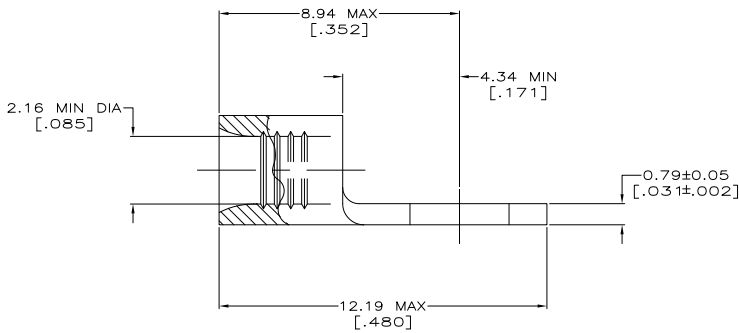
THE DRAWING IS UNPUBLISHED. RELEASED FOR PUBLICATION. ALL RIGHTS RESERVED.

LOC	DATE	REVISIONS	SU	DATE	BY	APP
G	14	F1	REVISED PER ECO-11-004820	11MAR11	RK	HMR



AMP WIRE RANGE 16-14 AWG SOLID OR STRANDED	E13288 Listed 16-14 AWG SOLID OR STRANDED
LR7189 Certified 16-14 AWG SOLID OR STRANDED	MILITARY P/N AND CLASS NOT APPLICABLE

△ STAMP AMP 16-14* APPROX AS SHOWN



AMP INCORPORATED CUSTOMER SERVICE SYSTEMS		MAX RECOMMENDED OPERATING TEMPERATURE: 170° C MAX
FOR ADDITIONAL PRODUCT INFORMATION OR COPIES OF DRAWINGS AND TECHNICAL DOCUMENTS	PRODUCT INFORMATION CENTER 1-800-522-6752	VOLTAGE RATING: NOT APPLICABLE
FOR APPLICATION TOOLING INFORMATION	TOOLING ASSISTANCE CENTER 1-800-722-1111	WIRE CROSS SECTIONAL AREA RANGE: 1.04-2.62mm ² [2,050-5,180] CIR MILS SOLID OR STRANDED
FOR ORDER ENTRY	1-800-526-5142	THIS DRAWING IS A CONTROLLED DOCUMENT FOR AMP INCORPORATED. IT IS SUBJECT TO CHANGE AND THE CONTROLLING ENGINEERING ORGANIZATION SHOULD BE CONTACTED FOR THE LATEST REVISION.

100	LOOSE PIECE, BOX	8-34120-1
5000	ON TAPE	2-34120-1
---	LOOSE PIECE	34120
QUANTITY	PACKAGING TYPE	PART NO

THIS DRAWING IS A CONTROLLED DOCUMENT.		BY TA BRINKMAN 3-17-93	TE Connectivity
DIMENSIONS: MM (INCHES)		CHK DA PATTERSON 3-17-93	
OTHERWISE SPECIFIED:		APD DE MILLER 3-17-93	NAME TERMINAL, RING TONGUE, SOLISTRAND™
MATERIAL: COPPER PER ASTM B-152 ANNEALED		FINISH: TIN PLATE 0.00254(0.0010)MIN THK PER ASTM B-246	SIZE: A2 CAGE CODE: 00779 DRAWING NO: 34120
		WEIGHT: ---	RESTRICTED TO: ---
		CUSTOMER DRAWING	SCALE: 10:1 SHEET: 1 of 1 REV: F1

1471-9 (5/11)

34120