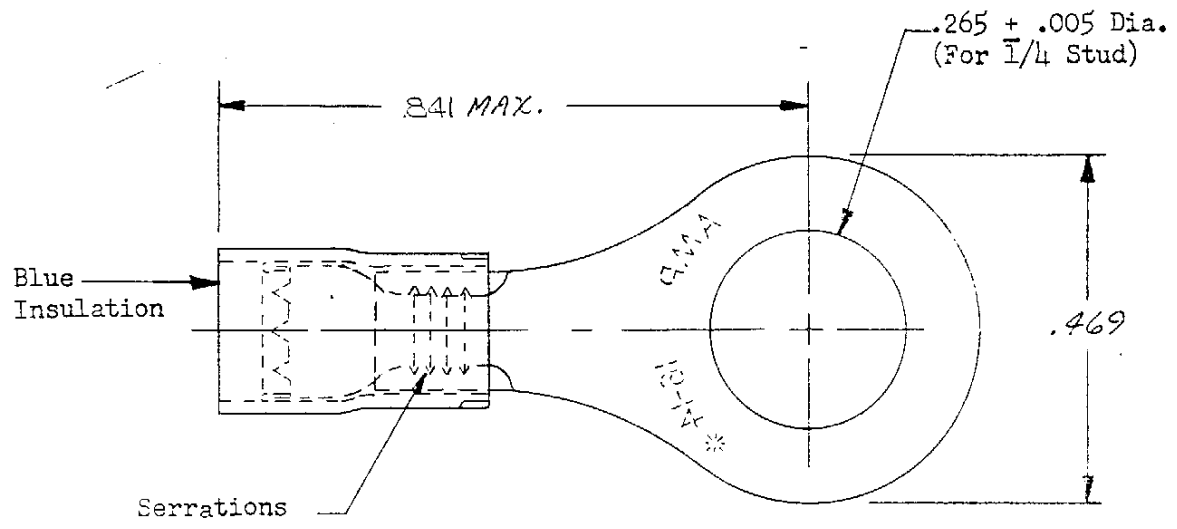


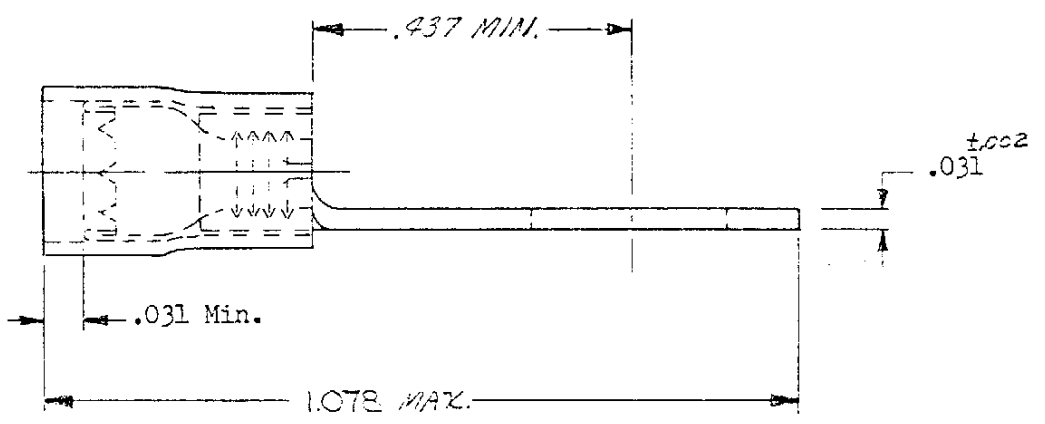
CATALOG NUMBER 321045-1

100	LOOSE PC, BOX	8-321045-1
50	LOOSE PC, BLS	8-321045-4
25	LOOSE PC, BLS	8-321045-5
5	LOOSE PC, BLS	7-321045-4

USED ON



⚠ SUPERSEDED BY 8-321045-1



TA.	NO.	ALT.
1		
2		
3		
4		
5		
6		
7		
8		
9		
10		
11		
12		
13		
14	XD	
15		
16		
17		
18		
19		
20		
21		
22		
23		
24		
25		

FOR .115 TO .170 INSULATION DIA. (WIRE)

COPYRIGHT IN U.S.A. 1957 BY AMP INCORPORATED.  
 COPYRIGHT UNDER INTERNATIONAL COPYRIGHT UNION. ALL RIGHTS RESERVED UNDER PAN-AMERICAN COPYRIGHT UNION (1910)

MATERIAL: Copper (ASTM B152)  
 HEAT TREAT: Annealed

FINISH:  EXCEPT AS NOTED: Hot Electro-Tinned  
 TIN PL (MIL-T-10727)

NOTE: PT. No. ON TAPE 2-321045-1

**CUSTOMER DRAWING**

REV.	REVISIONS	DATE	BY	N.D.C.
H2	REVISED PER ECO-11-004820	11MAR11	RK	
H	REV PER 063A-0770-00	12/00	JK	
G	REV/0720-0605-95	5-3-95	MS	
F	REV/0720-0596-95	3-22-95	MS	
E	REV/0720-0060-93	4-5-93	MS	
D	REV. PER ECN P-7000	7-25-77	EP	P-7000
C	REVISED	4-9-70	MS	B-630
B	REV PER ECN P-5876-161062	11/2/69	MS	
A	REV PER ECN P-5857	11/12/65	MS	
I	Revised	1-6-61	MS	
DR.	E. L. WEIST	9-16-57	P. E.	
CK.	T. G. S. HUBER	9-19-57	P. T. E.	
REL.	E. J. F. L.	9-19-57		

CLASS	RING TONGUE
TYPE	PRE-INSULATED DIAMOND GRIP (NYLON)
WIRE SIZE	16-14 (SHIP 2 1/2-4)
EXCEPT AS NOTED:	SHOW PT. NO. IN AREA MARKED "X"
TOLERANCES	BREAK ALL SHARP EDGES
DECIMALS	
ANGLES	
FRACTIONS	
SCALE	4-1
CATALOG NUMBER	321045 H2
NUMBER	
REV.	



321045 H2