

4

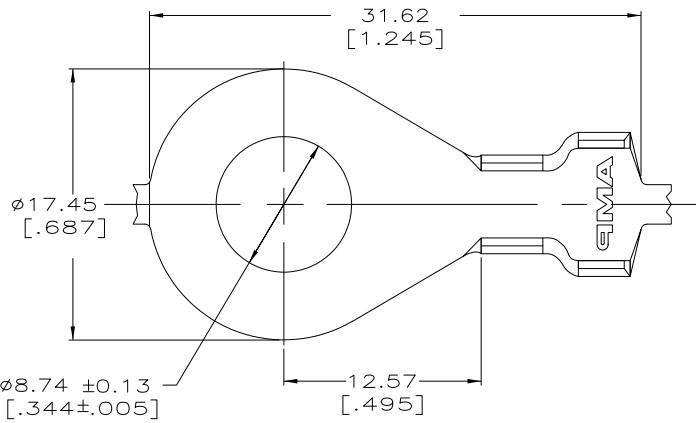
3

2

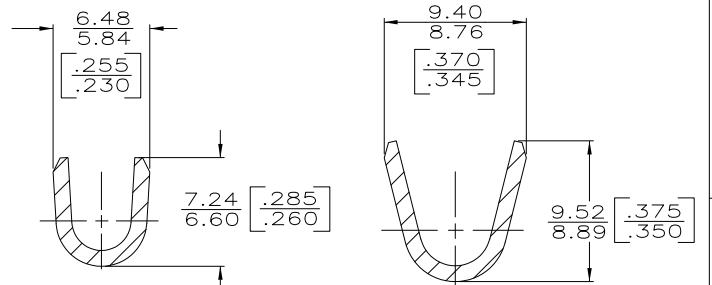
1

THIS DRAWING IS UNPUBLISHED. RELEASED FOR PUBLICATION
 © COPYRIGHT - BY TYCO ELECTRONICS CORPORATION. ALL INTERNATIONAL RIGHTS RESERVED.

LOC	DIST	REVISIONS				
P	LTR	DESCRIPTION	DATE	DWN	APVD	
AF	50	N	REVISED PER ECR-08-008189	24NOV08	HMR DD	



1 CONTINUOUS STRIP ON REEL.



SECTION A-A

SECTION B-B

3.81-5.59 DIA [.150-220]	[12-8] AWG	42946-2
INSULATION RANGE	WIRE RANGE	PART NO

THIS DRAWING IS A CONTROLLED DOCUMENT.		DWN PHILLIP M. FORTNEY 25/JAN/96	Tyco Electronics Corporation Harrisburg, PA 17105-3608	
DIMENSIONS: mm [INCHES]		CHK JEFF R RUTH 25/JAN/96	Tyco Electronics	
TOLERANCES UNLESS OTHERWISE SPECIFIED:		APVD GARY N. YETTER 25/JAN/96	RING	
0 PLC ± -	1 PLC ± -	PRODUCT SPEC	SIZE CAGE CODE DRAWING NO	
2 PLC ± 0.25 [010]	3 PLC ± -	APPLICATION SPEC	A3 00779 C-42946	RESTRICTED TO
4 PLC ± -	ANGLES ± -	WEIGHT	SCALE 4:1 SHEET 1 OF 1 REV N	
MATERIAL 082 BRASS	FINISH TIN PLATING	CUSTOMER DRAWING		