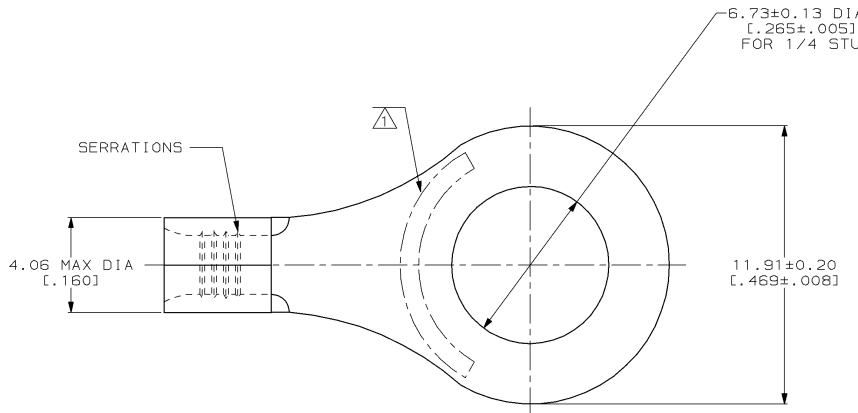


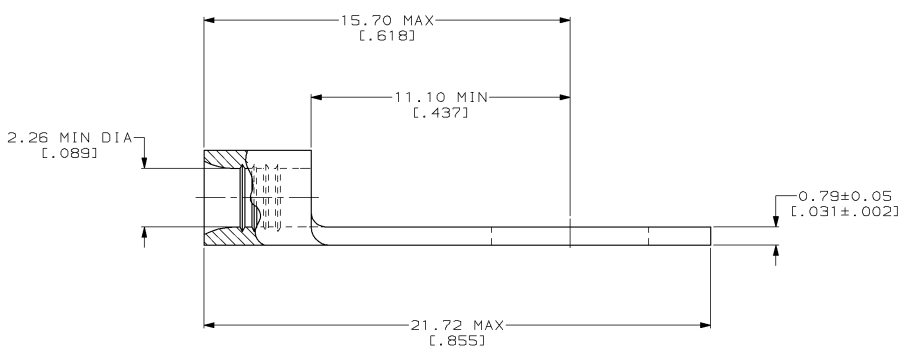
THIS DRAWING IS UNPUBLISHED. RELEASED FOR PUBLICATION
 © COPYRIGHT 19 BY AMP INCORPORATED. ALL INTERNATIONAL RIGHTS RESERVED.

| LOC | DIST | P | F | ZONE | LTR | REVISIONS | DATE | APPD |
|-----|------|---|---|------|-----|--------------------|---------|-------|
| G | 14 | | | | C | REV / 0610-0026-99 | 12FEB99 | JS SU |



| | |
|----------------------------|----------------------------|
| AMP WIRE RANGE | UL E13288 Listed |
| 16-14 AWG STRAINED | 16-14 AWG STRAINED |
| LR7189 Certified | MILITARY P/N AND CLASS |
| NOT CERTIFIED | NOT APPLICABLE |

△ STAMP AMP 16-14* APPROX AS SHOWN



| | | | | | | |
|---|--|--|--|--|--|-----------------------|
| AMP INCORPORATED CUSTOMER SERVICE SYSTEMS | | MAX RECOMMENDED OPERATING TEMPERATURE: 170°C MAX | DO NOT SCALE PRINT. UNLESS SPECIFIED DIMENSIONS IN mm [INCHES] TOLERANCES ON: 2 PLC DEC ± - 3 PLC DEC ± - ANGLES ± - | DR 2-5-93 TA BRINKMAN CHK 2-5-93 DA PATTERSON APPD 2-5-93 DE MILLER APPD 2-5-93 JL MECKLEY PRODUCT SPEC - | AMP AMP Incorporated Harrisburg, PA 17105-3608 | |
| FOR ADDITIONAL PRODUCT INFORMATION OR COPIES OF DRAWINGS AND TECHNICAL DOCUMENTS | PRODUCT INFORMATION CENTER 1-800-522-6752 | VOLTAGE RATING: NOT APPLICABLE | MATERIAL COPPER PER ASTM B-152 ANNEALED | NAME TERMINAL, RING TONGUE, BUDGET | SIZE C 00779 | DRAWING NO C-31164 |
| FOR APPLICATION TOOLING INFORMATION | TOOLING ASSISTANCE CENTER 1-800-722-1111 | WIRE CROSS SECTIONAL AREA RANGE: 1.04-2.62mm² [2,050-5,180] CIR MILS STRAINED | FINISH TIN PLATE 0.00254[.000100] MIN THK PER ASTM B-545 | APPLICATION SPEC - | SCALE 8:1 | SHEET 1 OF 1 |
| FOR ORDER ENTRY | 1-800-526-5142 | THIS DRAWING IS A CONTROLLED DOCUMENT FOR AMP INCORPORATED. IT IS SUBJECT TO CHANGE AND THE CONTROLLING ENGINEERING ORGANIZATION SHOULD BE CONTACTED FOR THE LATEST REVISION. | WEIGHT - | CUSTOMER DRAWING | | |

31164

A