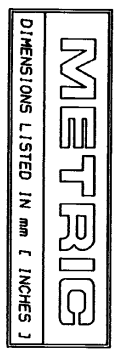
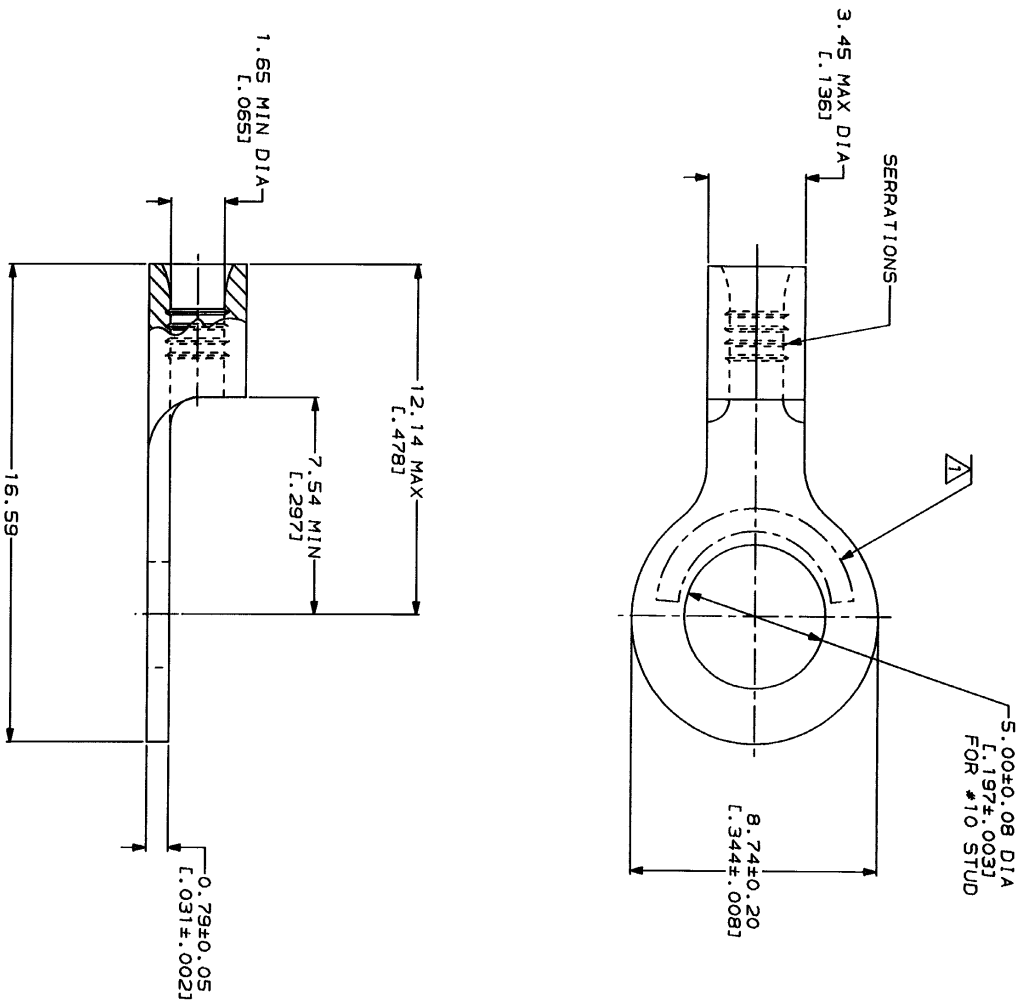


LOC	QTY	REV	DESCRIPTION	DATE	APP
G	14	E	REVISED PER 0720-0230-93	2/25/94	DAE



AMP WIRE RANGE	UL E13288 Listed
22-16 AWG STRANDED	22-16 AWG STRANDED
● LR7189 Certified	MILITARY P/W AND CLASS
NOT CERTIFIED	NOT APPLICABLE

△ STAMP AMP 22-18* APPROX AS SHOWN
22-16 TERMINALS ARE STAMPED 22-18 IN
ACCORDANCE WITH MILITARY SPECIFICATION
MIL-T-7928, COMMERCIAL WIRE RANGE IS 22-16



AMP INCORPORATED
CUSTOMER SERVICE SYSTEMS

FOR ADDITIONAL PRODUCT INFORMATION OR COPIES OF DRAWINGS AND TECHNICAL DOCUMENTS	PRODUCT INFORMATION CENTER 1-800-522-6752	MAX RECOMMENDED OPERATING TEMPERATURE: 170°C MAX
FOR APPLICATION TOOLING INFORMATION	TOOLING ASSISTANCE CENTER 1-800-722-1111	VOLTAGE RATING: NOT APPLICABLE
FOR ORDER ENTRY	1-800-526-5142	WIRE CROSS SECTIONAL AREA RANGE: 0.26-1.65mm ² (509-3,280) CIR MILS STRANDED

DO NOT SCALE PRINT.
DIMENSIONS SPECIFIED IN MILLIMETERS UNLESS SPECIFIED OTHERWISE.
3 P/C DEC 4 -
2 P/C DEC 4 -
1 P/C DEC 4 -
MATERIAL
COPPER PER
ASTM B-152
ANNEALED

OR 2-3-93 TA BRINKMAN	DR 2-3-93
CHK 2-3-93 DA PATTERSON	CHK 2-3-93
APPD 2-3-93 DE MILLER	APPD 2-3-93
PRODUCT SPEC	PRODUCT SPEC
FINISH	TIN PLATE
0.00254 [1.000100] MIN THK PER MIL-T-10727	0.00254 [1.000100] MIN THK PER MIL-T-10727
APPLICATION SPEC	APPLICATION SPEC
WEIGHT	WEIGHT

AMP	AMP Incorporated Horn-Lansurg, PA 17105-3608
NAME	TERMINAL, RING TONGUE, BUDGET
SIZE	CASE CODE
00779	00779
SCALE	DRAWING NO
8:1	0-32824
	SHEET
	1 OF 1

CUSTOMER DRAWING

32824