

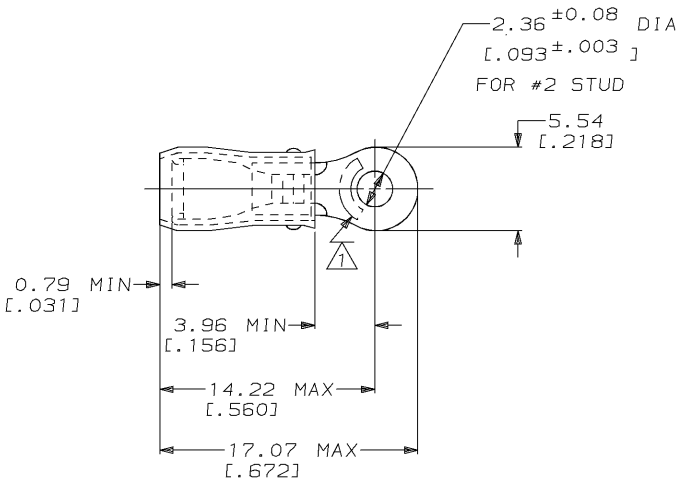
DRAWING MADE IN THIRD ANGLE PROJECTION

THIS DRAWING IS UNPUBLISHED. RELEASED FOR PUBLICATION, 19 .

© COPYRIGHT 19 BY AMP INCORPORATED. ALL INTERNATIONAL RIGHTS RESERVED.

LOC	DIST	P	F	ZONE	LTR	DESCRIPTION	DATE	APPD
G	14				L	REV / 0L20-0025-97	30JAN97	TM

<b>AMP</b> WIRE RANGE	<b>UL</b> Listed	<b>CSA</b> LR7189 Certified
22-16 AWG SOLID OR STRANDED	22-16 AWG SOLID OR STRANDED	22-16 AWG SOLID OR STRANDED



- 1 STAMP AMP 22-18\* APPROX AS SHOWN  
22-16 TERMINALS ARE STAMPED 22-18 IN ACCORDANCE WITH MILITARY SPEC MIL-T-7928 COMMERCIAL WIRE RANGE IS 22-16
- 2 WIRE INSULATION DIA: .080 - .125
- 3 TONGUE MATERIAL THK: 0.79<sup>+0.05</sup> [.031 ± .002]

AMP INCORPORATED CUSTOMER SERVICE SYSTEMS		MAX RECOMMENDED OPERATING TEMPERATURE: 105°C MAX	MILITARY P/N AND CLASS	QUANTITY	PACKAGE TYPE	PART NO
FOR ADDITIONAL PRODUCT INFORMATION OR COPIES OF DRAWINGS AND TECHNICAL DOCUMENTS	PRODUCT INFORMATION CENTER 1-800-522-6752	VOLTAGE RATING: 300 V MAX	100	100	LOOSE PIECE, BOX	8-328657-1
FOR APPLICATION	TOOLING ASSISTANCE CENTER 1-800-722-1111	WIRE CROSS SECTIONAL AREA RANGE: 0.26-1.65mm <sup>2</sup> [509-3,260] CIR MILS SOLID OR STRANDED	5000	5000	ON TAPE, REEL	2-328657-1
FOR ORDER ENTRY	1-800-526-5142	THIS DRAWING IS A CONTROLLED DOCUMENT FOR AMP INCORPORATED. IT IS SUBJECT TO CHANGE AND THE CONTROLLING ENGINEERING ORGANIZATION SHOULD BE CONTACTED FOR THE LATEST REVISION.	-	-	LOOSE PIECE	328657
AMP 1470-15 REV 3-92 30 JAN 1997 13:51:02 AMP10398 <U128A>DEPT1132>U.DWG1132>U.RBY>U.PIDG>U.CUST		DO NOT SCALE PRINT. UNLESS SPECIFIED DIMENSIONS IN mm [INCHES] TOLERANCES ON: 2 PLC DEC ± 0.201.008] 3 PLC DEC ± - ANGLES ± -	DR 02/11/93 DK SCORUM CHK 4/28/93 RE HERSEY APPD 4/28/93 ML ELLIS APPD 4/28/93 M BARNABA		AMP Incorporated Harrisburg, PA 17105-3608	
		MATERIAL COPPER ASTM B-152 SLEEVE, RED NYLON	APPLICATION SPEC NOT AVAILABLE		NAME TERMINAL, RING TONGUE, PIDG™, WIRE SIZE, 22-16 AWG	
		FINISH TIN PLATE PER MIL-T-10727	WEIGHT -		SIZE B	CAGE CODE 00779
					DRAWING NO C=328657	SHEET 1 OF 1
					SCALE 4:1	

CUSTOMER DRAWING