

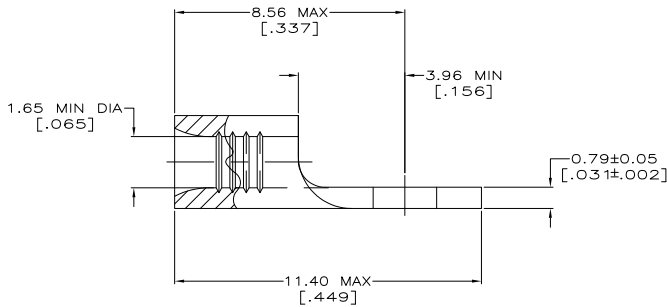
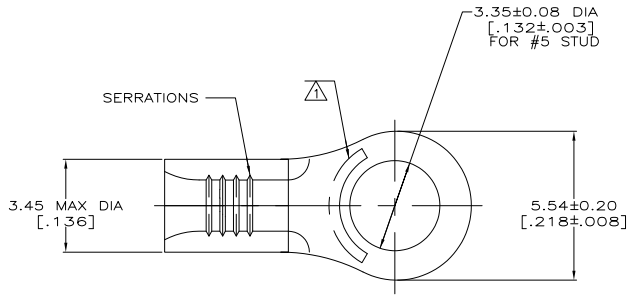
THE DRAWING IS UNPUBLISHED. RELEASED FOR PUBLICATION. ALL RIGHTS RESERVED.

| LOC | DATE | REVISIONS | DATE | BY | APPV |
|-----|------|-----------|---------------------------|---------|--------|
| G | 14 | P LTR | | | |
| | | B1 | REVISED PER ECO-11-005027 | 11MAR11 | RK HMR |



| | |
|--------------------------|---------------------------|
| AMP WIRE RANGE | E13288 Listed |
| 22-16 AWG STRANDED | 22-16 AWG STRANDED |
| LR7189 Certified | MILITARY P/N AND CLASS |
| NOT CERTIFIED | NOT APPLICABLE |

△ STAMP AMP 22-18* APPROX AS SHOWN
22-16 TERMINALS ARE STAMPED 22-18 IN
ACCORDANCE WITH MILITARY SPEC MIL-T-7928
COMMERCIAL WIRE RANGE IS 22-16



| | | |
|---|--|--|
| AMP INCORPORATED CUSTOMER SERVICE SYSTEMS | | MAX RECOMMENDED OPERATING TEMPERATURE: 170° C MAX |
| FOR ADDITIONAL PRODUCT INFORMATION OR COPIES OF DRAWINGS AND TECHNICAL DOCUMENTS | PRODUCT INFORMATION CENTER 1-800-522-6752 | VOLTAGE RATING: NOT APPLICABLE |
| FOR APPLICATION TOOLING INFORMATION | TOOLING ASSISTANCE CENTER 1-800-722-1111 | WIRE CROSS SECTIONAL AREA RANGE: 0.26-1.65mm ² [509-3,260] CIR MILS STRANDED |
| FOR ORDER ENTRY | 1-800-526-5142 | THIS DRAWING IS A CONTROLLED DOCUMENT FOR AMP INCORPORATED. IT IS SUBJECT TO CHANGE AND THE CONTROLLING ENGINEERING ORGANIZATION SHOULD BE CONTACTED FOR THE LATEST REVISION. |

| | |
|--------------|-----------|
| TAPE MOUNTED | 2-31090-1 |
| LOOSE PIECE | 31090 |
| SUPPLIED AS | PART NO |

| | | | | |
|--|--|--|------------------------------|-------------------|
| THIS DRAWING IS A CONTROLLED DOCUMENT. | | BY TA BRINKMAN 1-27-93 | TE Connectivity | |
| DRAWING NO: 31090 | | CHK DA PATTERSON 1-27-93 | TERM. RING TONGUE, BUDGET | |
| MATERIAL: COPPER PER ASTM B-152 ANNEALED | | FINISH: TIN PLATE 0.0025(0.000100) MIN | WEIGHT: -- | RESTRICTED TO: -- |
| DIMENSIONS: MM(INCHES) | | TO DIMENSIONS UNLESS OTHERWISE SPECIFIED: | SIZE: A2 | CAGE CODE: 00779 |
| PRODUCT SPEC: -- | | APPLICATION SPEC: -- | DRAWING NO: 31090 | SCALE: 10:1 |
| MATERIAL: COPPER PER ASTM B-152 ANNEALED | | FINISH: TIN PLATE 0.0025(0.000100) MIN | WEIGHT: -- | SHEET: 1 of 1 |
| MATERIAL: COPPER PER ASTM B-152 ANNEALED | | FINISH: TIN PLATE 0.0025(0.000100) MIN | WEIGHT: -- | REV: B1 |

1471-9 (5/11)

31090