

4

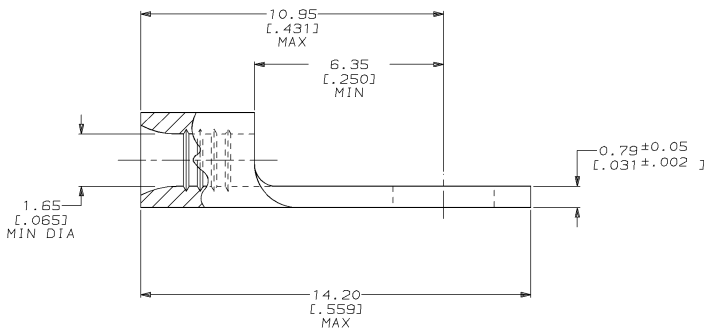
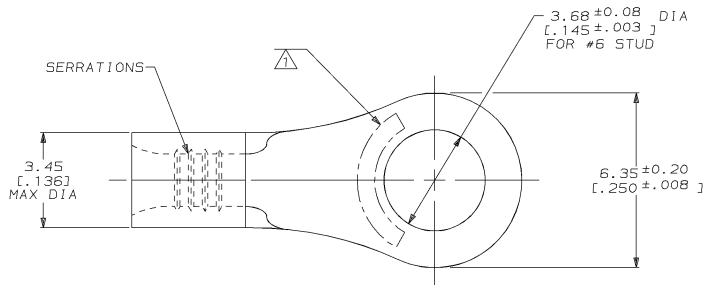
3

2

1

THIS DRAWING IS UNPUBLISHED. RELEASED FOR PUBLICATION
 BY AMP INCORPORATED. ALL RIGHTS RESERVED.

LOC	DIST	F	LTR	REVISIONS	DATE	BY	APPD
G	14						
		0	-			OBHAY37	DKS MJS



AMP WIRE RANGE	E13288 Listed
22-16 AWG STRANDED	22-16 AWG STRANDED
LR7189 Certified	MILITARY P/N AND CLASS
NOT CERTIFIED	NOT APPLICABLE

- ⚠ STAMP AMP [] APPROX AS SHOWN
22-16 TERMINALS ARE STAMPED 22-18 IN
ACCORDANCE WITH MILITARY SPEC MIL-T-7928
COMMERCIAL WIRE RANGE IS 22-16
SEE TABLE BELOW FOR STAMPING DESIGNATION
- ⚠ TIN PL 0.00254 [0.000100] MIN THK
PER MIL-T-10727
- ⚠ TIN-LEAD PL 0.00254 [0.000100] MIN THK
PER MIL-T-10727
- ⚠ GOLD PL 0.00127 [0.000050] MIN THK
PER MIL-G-45204 OVER NICKEL PL
0.00076 [0.000030] MIN THK PER QQ-N-290
- ⚠ NICKEL PL 0.00762 [0.000300] MIN THK
PER QQ-N-290

22-18*	⚠	2-51873-1
18*	⚠	1-51873-9
20*	⚠	1-51873-8
22-18*	⚠	51873-9
22-18*	⚠	51873-8
18*	⚠	51873-4
20*	⚠	51873-3
22*	⚠	51873-2
22-18*	⚠	51873-1
STAMPING	FINISH	AMP PART NUMBER

AMP INCORPORATED CUSTOMER SERVICE SYSTEMS		RECOMMENDED OPERATING TEMPERATURE: 170°C MAX
FOR ADDITIONAL PRODUCT INFORMATION OR COPIES OF DRAWINGS AND TECHNICAL DOCUMENTS	PRODUCT INFORMATION CENTER 1-800-522-6752	VOLTAGE RATINGS: NOT APPLICABLE
FOR APPLICATION TOOLING INFORMATION	TOOLING ASSISTANCE CENTER 1-800-722-1111	WIRE CROSS SECTIONAL AREA RANGE: 0.26-1.65mm ² (509-3,260) C1R MILS STRANDED
FOR ORDER ENTRY	1-800-526-5142	

THIS DRAWING IS A CONTROLLED DOCUMENT.		DN CHK	SCHURM OBHAY37	AMP AMP Incorporated Harrisburg, PA 17105-3608
DIMENSIONS (IN/INCHES)		MIL SPICER	OBHAY37	
TOLERANCES UNLESS OTHERWISE SPECIFIED		PL MCKELLY	NAME	TERMINAL, RING TONGUE, BUDGET
0 PLC ±.01 0 PLC ±.02 0 PLC ±.03 0 PLC ±.04 0 PLC ±.05 0 PLC ±.06 0 PLC ±.07 0 PLC ±.08 0 PLC ±.09 0 PLC ±.10 0 PLC ±.12 0 PLC ±.15 0 PLC ±.20 0 PLC ±.25 0 PLC ±.30 0 PLC ±.375 0 PLC ±.45 0 PLC ±.56 0 PLC ±.70 0 PLC ±.875 0 PLC ±1.0 0 PLC ±1.25 0 PLC ±1.57 0 PLC ±2.0 0 PLC ±2.5 0 PLC ±3.175 0 PLC ±4.0 0 PLC ±5.0 0 PLC ±6.25 0 PLC ±7.5 0 PLC ±9.0 0 PLC ±11.25 0 PLC ±14.0 0 PLC ±17.5 0 PLC ±21.0 0 PLC ±25.0 0 PLC ±30.0 0 PLC ±37.5 0 PLC ±45.0 0 PLC ±56.0 0 PLC ±70.0 0 PLC ±87.5 0 PLC ±105.0 0 PLC ±125.0 0 PLC ±150.0 0 PLC ±187.5 0 PLC ±225.0 0 PLC ±280.0 0 PLC ±350.0 0 PLC ±425.0 0 PLC ±525.0 0 PLC ±650.0 0 PLC ±800.0 0 PLC ±1000.0		APPLICATION SPEC	PRODUCT SPEC	
MATERIAL COPPER PER ASTM B-152 ANNEALED		FINISH	SEE TABLE	SIZE A2100779
		WEIGHT	CUSTOMER DRAWING	CASE CODE C=51873
				DRAWING NO. SCALE 10:1
				SHEET 1 OF 1
				REV 0

AMP 1471-3 REV 23FEB95
 07-34-29 amp05463 /vs/dq1123/dq1123a.boiler/a.22-16

51873