

4

3

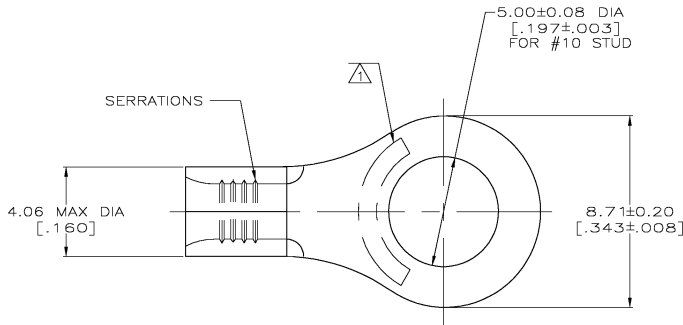
2

1

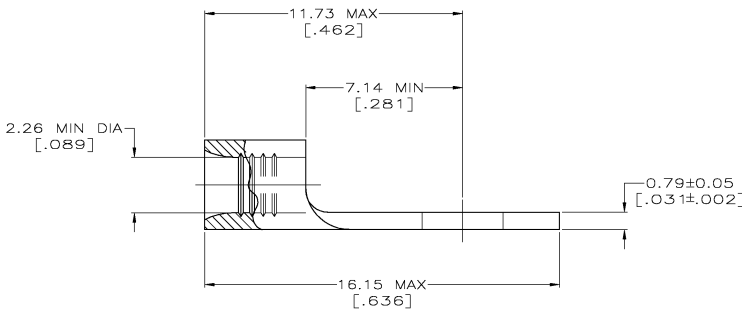
THIS DRAWING IS UNPUBLISHED. RELEASED FOR PUBLICATION
 © COPYRIGHT BY TYCO ELECTRONICS CORPORATION. ALL RIGHTS RESERVED.

LOC	QTY	REV	DESCRIPTION	DATE	BY	APP'D
G	14	J	REV PER 063A-0969-04	08DEC04	JR	MS

15-14 AWG STRANDED	15-14 AWG STRANDED	NOT CERTIFIED



- △ STAMP AMP 16-14* APPROX AS SHOWN
- △ MATERIAL: BODY - CU PER ASTM B152
- △ FINISH: 0.00254 [.000100] MIN TIN PER ASTM B-545



50	LOOSE PIECE, BOX	8-30697-2
5000	ON TAPE, REEL	2-30697-3
-	LOOSE PIECE	30697
QTY	PACKAGE TYPE	PART NO.

AMP INCORPORATED CUSTOMER SERVICE SYSTEMS		MAX RECOMMENDED OPERATING TEMPERATURE: 170°C MAX
FOR ADDITIONAL PRODUCT INFORMATION OR COPIES OF DRAWINGS AND TECHNICAL DOCUMENTS	PRODUCT INFORMATION CENTER 1-800-522-6752	VOLTAGE RATING: N/A
FOR APPLICATION	TOOLING ASSISTANCE CENTER 1-800-722-1111	CIRCULAR MIL AREA: 1.04-2.62mm ² [2.050-5.180] STRANDED
FOR ORDER ENTRY	1-800-526-5142	THIS DRAWING IS A CONTROLLED DOCUMENT FOR AMP INCORPORATED. IF SUBJECT TO CHANGE AND THE CONTROLLING ENGINEERING ORGANIZATION SHOULD BE CONTACTED FOR THE LATEST REVISION.

THIS DRAWING IS A CONTROLLED DOCUMENT.		DR: TA BRINKMAN 2-4-93		Tyco Electronics Corporation Harrisburg, Pa 17105-3608	
DIMENSIONS: INCHES		CK: DA PATTERSON 2-4-93		TERMINAL, RING TONGUE, BUDGET	
MATERIAL: -△		APP: JL MCKELEY 2-4-93	SHEET CASE CODE DRAWING NO RESTRICTED TO		
FINISH: -△		HEIGHT: -	A2 00779 C-30697		-
CUSTOMER DRAWING		SCALE: 8:1	SHEET 1 OF 1 REV J		

AMP 1421-9 REV 31MAR2000

30697

A