

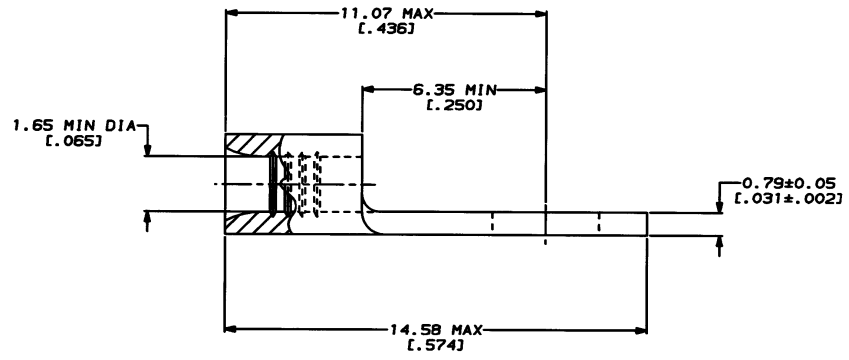
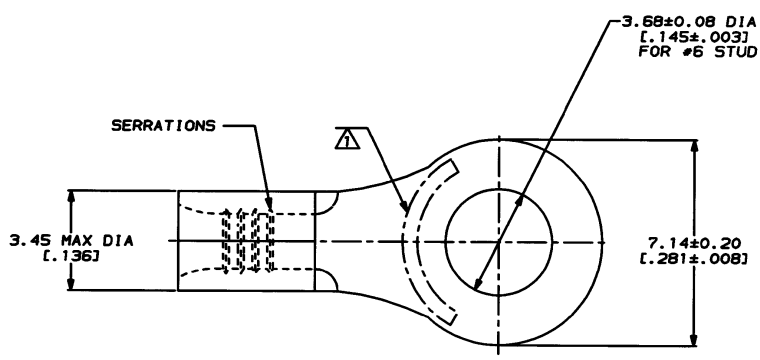
THIS DRAWING IS UNPUBLISHED. RELEASED FOR PUBLICATION .19  
 COPYRIGHT 19 BY AMP INCORPORATED. ALL INTERNATIONAL RIGHTS RESERVED.

REV	DATE	DESCRIPTION	DATE	APPD
G	14	K	REVISED PER 0720-0230-93	2/28/94 DAP

**METRIC**  
 DIMENSIONS LISTED IN mm [ INCHES ]

<b>AMP</b> WIRE RANGE	<b>UL</b> E13288 Listed
22-16 AWG STRANDED	22-16 AWG STRANDED
<b>LR7189</b> Certified	MILITARY P/N AND CLASS
NOT CERTIFIED	NOT APPLICABLE

△ STAMP AMP 22-18 APPROX AS SHOWN  
 22-16 TERMINALS ARE STAMPED 22-18 IN  
 ACCORDANCE WITH MILITARY SPECIFICATION  
 MIL-T-7928, COMMERCIAL WIRE RANGE IS 22-16



<b>AMP INCORPORATED CUSTOMER SERVICE SYSTEMS</b>		<b>MAX RECOMMENDED OPERATING TEMPERATURE:</b> 170°C MAX	<b>DO NOT SCALE PRINT. UNLESS SPECIFIED DIMENSIONS IN mm - DIMENSIONS - TOLERANCES ON :</b> 2 PLC DEC ± - 3 PLC DEC ± - ANGLES ± -	<b>DR 2-3-93 TA BRINKMAN</b>	<b>31264</b> PART NO	
<b>FOR ADDITIONAL PRODUCT INFORMATION OR COPIES OF DRAWINGS AND TECHNICAL DOCUMENTS</b>	<b>PRODUCT INFORMATION CENTER 1-800-522-6752</b>	<b>VOLTAGE RATING:</b> NOT APPLICABLE	<b>TERMINAL</b> COPPER PER ASTM B-152 ANNEALED	<b>CHK 2-3-93 DA PATTERSON</b>	<b>AMP</b> AMP Incorporated Harrisburg, PA 17105-3608	
<b>FOR APPLICATION TOOLING INFORMATION</b>	<b>TOOLING ASSISTANCE CENTER 1-800-722-1111</b>	<b>WIRE CROSS SECTIONAL AREA RANGE:</b> 0.26-1.65mm <sup>2</sup> (509-3,260) CIR MILS STRANDED	<b>FINISH</b> TIN PLATE 0.00254 [ .000100 ] MIN THK PER MIL-T-10727	<b>APPD 2-3-93 DE MILLER</b>	<b>NAME</b> TERMINAL, RING TONGUE, BUDGET	
<b>FOR ORDER ENTRY</b>	<b>1-800-526-5142</b>	<small>THIS DRAWING IS A CONTROLLED DOCUMENT FOR AMP AND IS PROTECTED BY PATENT RIGHTS. PLEASE CONTACT AMP FOR THE LATEST REVISION.</small>	<b>APPLICATION SPEC</b> -	<b>APPD 2-3-93 JL HICKLEY</b>	<b>SIZE</b> C	<b>CAGE CODE</b> 00779
			<b>WEIGHT</b> -	<b>PRODUCT SPEC</b> -	<b>DRAWING NO</b> C-31264	<b>SHEET</b> 1 OF 1

CUSTOMER DRAWING

2-FEB-94 11:05:09 002643 //files/dm/1123/aml123/u\_bodie/v\_22-16