

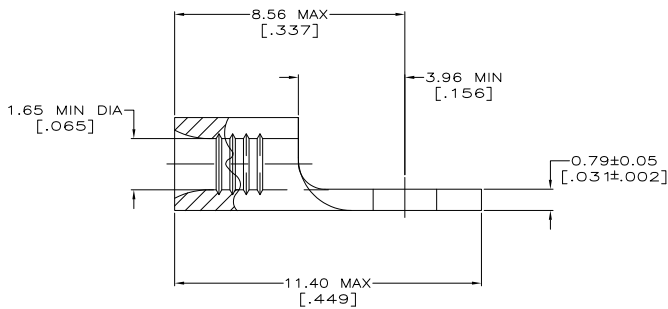
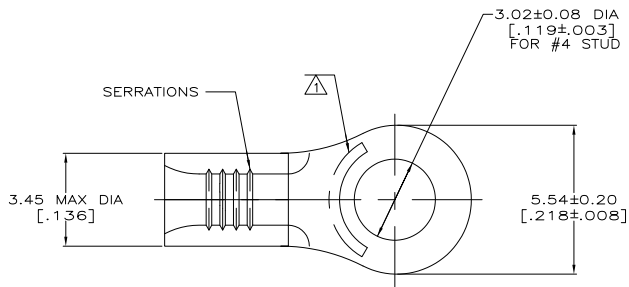
THE DRAWING IS UNPUBLISHED. RELEASED FOR PUBLICATION. ALL RIGHTS RESERVED.

LOC	REV	DESCRIPTION	DAP	DATE	OWN	APP
G	14					
		REVISED PER ECO-11-004917		11MAR11	RK	HMR

METRIC
DIMENSIONS LISTED IN mm [INCHES]

AMP WIRE RANGE	E13288 Listed
22-16 AWG STRANDED	22-16 AWG STRANDED
LR7189 Certified	MILITARY P/N AND CLASS
NOT CERTIFIED	NOT APPLICABLE

△ STAMP AMP 22-18* APPROX AS SHOWN
22-16 TERMINALS ARE STAMPED 22-18 IN
ACCORDANCE WITH MILITARY SPECIFICATION
MIL-T-7928; COMMERCIAL WIRE RANGE IS 22-16



**AMP INCORPORATED
CUSTOMER SERVICE SYSTEMS**

MAX RECOMMENDED OPERATING
TEMPERATURE:
170° C MAX

FOR ADDITIONAL
PRODUCT INFORMATION OR
COPIES OF DRAWINGS
AND TECHNICAL DOCUMENTS

PRODUCT INFORMATION CENTER
1-800-522-6752

VOLTAGE RATING:
NOT APPLICABLE

FOR APPLICATION
TOOLING INFORMATION

TOOLING ASSISTANCE CENTER
1-800-722-1111

WIRE CROSS SECTIONAL AREA RANGE:
0.26-1.65mm² [509-3,260] CIR MILS
STRANDED

FOR ORDER ENTRY

1-800-526-5142

THIS DRAWING IS A CONTROLLED DOCUMENT FOR
AMP INCORPORATED. IT IS SUBJECT TO CHANGE
AND THE CONTROLLING ENGINEERING ORGANIZATION
SHOULD BE CONTACTED FOR THE LATEST REVISION.

5000	ON TAPE	3-31089-6
----	LOOSE PIECE	31089
QUANTITY	PACKAGE TYPE	PART NO
THIS DRAWING IS A CONTROLLED DOCUMENT.		
BY: TA BRINKMAN 2-2-93	DATE: 2-2-93	TE Connectivity
CHK: DA PATTERSON 2-2-93	DATE: 2-2-93	
DRAWN: DE MILLER 2-2-93	DATE: 2-2-93	TERMINAL, RING TONGUE, BUDGET
PRODUCT SPEC	APPLICATION SPEC	SIZE: A2
MATERIAL: COPPER PER ASTM B-152 ANNEALED	FINISH: TIN PLATE 0.00254(0.00100) MIN THK PER MIL-T-10727	WEIGHT: --
CUSTOMER DRAWING		DRAWING NO: 00779 © 31089
SCALE: 10:1		SHEET: 1 of 1
REV: D1		RESTRICTED TO: --