

4

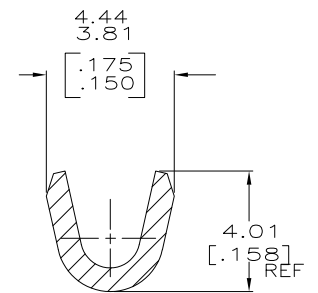
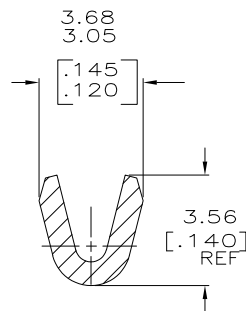
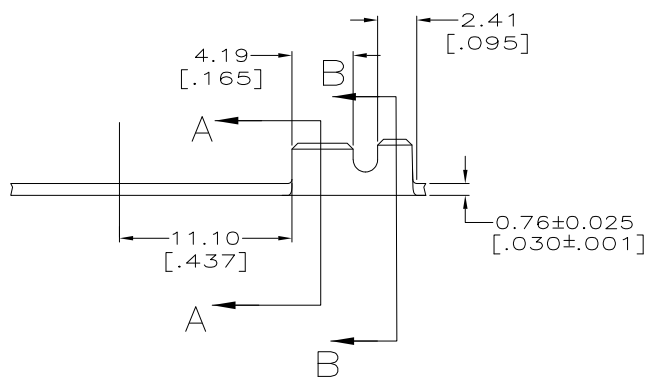
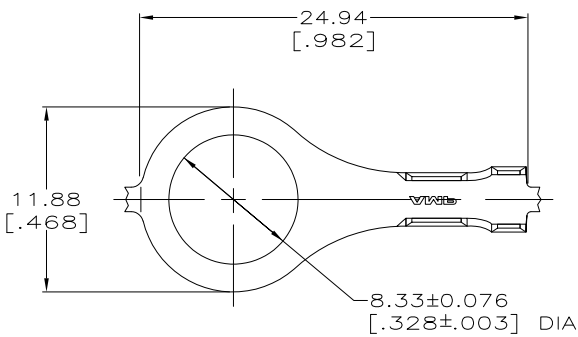
3

2

1

THIS DRAWING IS UNPUBLISHED. RELEASED FOR PUBLICATION
 © COPYRIGHT - BY TYCO ELECTRONICS CORPORATION. ALL INTERNATIONAL RIGHTS RESERVED.

LOC		DIST		REVISIONS				
P	LTR	DESCRIPTION			DATE	DWN	APVD	
	J1	REVISED PER ECR-10-015031			29JUL10	HMR	PD	



- 1 CONTINUOUS STRIP ON REELS AT A FEED OF 27.68±0.13 [.1 .090±.005].
- 2 WIRE RANGE IS 22-18 AWG.
- 3 INSULATION RANGE IS 1.78-2.54 [.070-.100] DIA

41013
PART NO.

THIS DRAWING IS A CONTROLLED DOCUMENT.		DWN	JR RUTH	10/5/98	 Tyco Electronics Corporation Harrisburg, PA 17105-3608
DIMENSIONS: mm [INCHES]		CHK	MS FEHER	10/5/98	
TOLERANCES UNLESS OTHERWISE SPECIFIED:		APVD	J DUNCAN	10/5/98	
0 PLC	± -	PRODUCT SPEC		NAME	TERMINAL, RING
1 PLC	± -	APPLICATION SPEC		SIZE	
2 PLC	± 0.38 [.015]	WEIGHT		CAGE CODE	RESTRICTED TO
3 PLC	± -	MATERIAL		DRAWING NO	A3 00779 C-41013
4 PLC	± -	FINISH		SCALE	
ANGLES	± -	082 BRASS		SHEET	1 OF 1
		TIN		REV	J1
		CUSTOMER DRAWING		SCALE 4:1	