

4

3

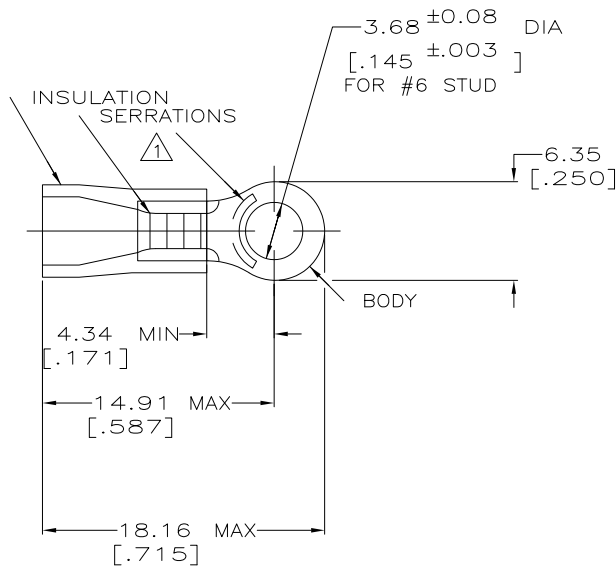
2

1

THIS DRAWING IS UNPUBLISHED. RELEASED FOR PUBLICATION
 © COPYRIGHT - By - ALL RIGHTS RESERVED.

LOC	DIST	REVISIONS			
P	LTR	DESCRIPTION	DATE	DWN	APVD
J2		REVISED PER ECO-11-004820	11MAR11	RK	HMR

AMP WIRE RANGE	Listed FILE E13288	LR7189 Certified
16-14 AWG SOLID OR STRANDED	16-14 AWG SOLID OR STRANDED	16-14 AWG SOLID OR STRANDED



- △1 STAMP AMP 16-14* APPROX AS SHOWN
- 2 WIRE INSULATION DIA: 3.00-4.90 [0.118-.193]
- 3 TONGUE MATERIAL THK: 0.79^{+0.05} [0.031^{+0.002}]
- △4 SUPERSEDED BY 8-34158-1
- △5 MATERIAL: BODY - CU PER ASTM B152
SLEEVE - PVC, COLOR - BLUE

50	LOOSE PC,BAG	8-34158-5 △4
100	LOOSE PC,BOX	8-34158-1
5000	ON TAPE, REEL	2-34158-1
-	LOOSE PIECE	34158
QTY	PACKAGE TYPE	PART NO.

AMP INCORPORATED CUSTOMER SERVICE SYSTEMS		MAX RECOMMENDED OPERATING TEMPERATURE: 105°C [221° F]	THIS DRAWING IS A CONTROLLED DOCUMENT.		DWN DK SCHRUM 08/06/92	TE Connectivity		
FOR ADDITIONAL PRODUCT INFORMATION OR COPIES OF DRAWINGS AND TECHNICAL DOCUMENTS	PRODUCT INFORMATION CENTER 1-800-522-6752	VOLTAGE RATING: N/A	DIMENSIONS: MM [INCHES]	TOLERANCES UNLESS OTHERWISE SPECIFIED:	CHK RE HERSEY 11/10/92	NAME M BARNABA 11/10/92		
FOR APPLICATION	TOOLING ASSISTANCE CENTER 1-800-722-1111	CIRCULAR MIL AREA: 1.04-2.62mm ² [2,050-5,180] SOLID OR STRANDED		0 PLC ± - 1 PLC ± - 2 PLC ± 0.20[0.008] 3 PLC ± - 4 PLC ± - ANGLES ± -	APVD M BARNABA 11/10/92	PRODUCT SPEC 108-1034		
TOOLING INFORMATION	1-800-722-1111		MATERIAL △5	FINISH TIN PER ASTM B545	APPLICATION SPEC NOT AVAILABLE	SIZE A3	CAGE CODE 00779	
FOR ORDER ENTRY	1-800-526-5142				WEIGHT -	DRAWING NO C-34158	RESTRICTED TO -	
CUSTOMER DRAWING						SCALE 4:1	SHEET 1 OF 1	REV J2

1470-19 (3/11)