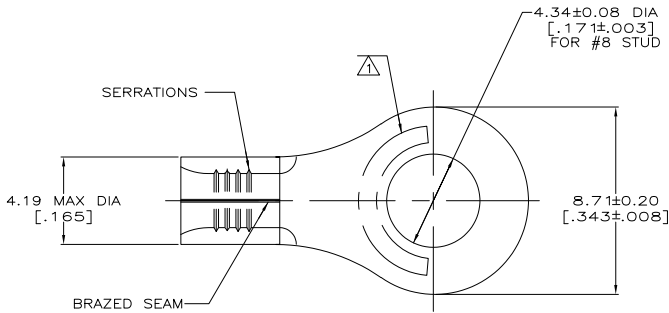


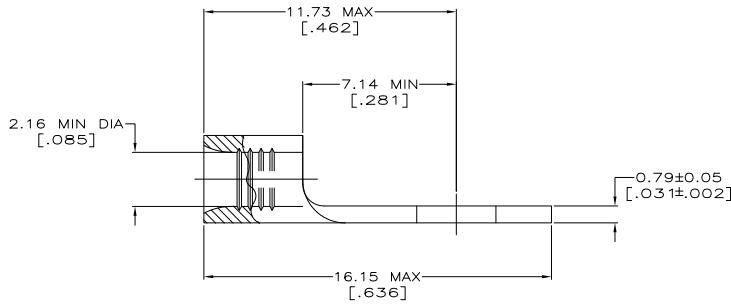
THE DRAWING IS UNPUBLISHED. RELEASED FOR PUBLICATION. ALL RIGHTS RESERVED.

REV	DATE	DESCRIPTION	MS	DATE	BY	APPD
G1		REVISED PER ECO-11-004820		11MAR11	RK	HMR



AMP WIRE RANGE	E13288 Listed
16-14 AWG SOLID OR STRANDED	16-14 AWG SOLID OR STRANDED
LR7189 Certified	MILITARY P/N AND CLASS
16-14 AWG SOLID OR STRANDED	NOT APPLICABLE

- △ STAMP AMP 16-14* APPROX AS SHOWN
- △ 0.00254 [0.000100] MIN TIN PER ASTM B-545.
- △ CLEANED, UNPLATED



AMP INCORPORATED CUSTOMER SERVICE SYSTEMS		MAX RECOMMENDED OPERATING TEMPERATURE: 170° C MAX
FOR ADDITIONAL PRODUCT INFORMATION OR COPIES OF DRAWINGS AND TECHNICAL DOCUMENTS	PRODUCT INFORMATION CENTER 1-800-522-6752	VOLTAGE RATING: NOT APPLICABLE
FOR APPLICATION TOOLING INFORMATION	TOOLING ASSISTANCE CENTER 1-800-722-1111	WIRE CROSS SECTIONAL AREA RANGE: 1.04-2.62mm ² [2,050-5,180] CIR MILS SOLID OR STRANDED
FOR ORDER ENTRY	1-800-526-5142	THIS DRAWING IS A CONTROLLED DOCUMENT FOR AMP INCORPORATED. IT IS SUBJECT TO CHANGE AND THE CONTROLLING ENGINEERING ORGANIZATION SHOULD BE CONTACTED FOR THE LATEST REVISION.

△	-	LOOSE PIECE	34122-1
△	100	LOOSE PIECE, BOX	8-34122-1
	5000	ON TAPE	2-34122-1
	---	LOOSE PIECE	34122
FINISH	QUANTITY	PACKAGING TYPE	PART NO

THIS DRAWING IS A CONTROLLED DOCUMENT.		BY TA BRINKMAN 3-17-83	DATE 3-17-83	TE TE Connectivity			
DIMENSIONS: mm[INCHES]		CHK DA PATTERSON 3-17-83	DATE 3-17-83				
TOLERANCES UNLESS OTHERWISE SPECIFIED:		APP DE MILLER 3-17-83	DATE 3-17-83	TERM, RING TONGUE, SOLISTRAND			
0 P/C	±	PRODUCT SPEC		SIZE	CAGE CODE	DRAWING NO	RESTRICTED TO
1 P/C	±	APPLICATION SPEC		A2	00779	34122	
2 P/C	±	WEIGHT					
3 P/C	±	CUSTOMER DRAWING					
4 P/C	±						
ANGLES	±						
MATERIAL							
COPPER PER ASTM-B-152 ANNEALED							
				SCALE	8:1	SHEET	1 of 1
							REV G1

141-9 (5/11)

34122

A