

4

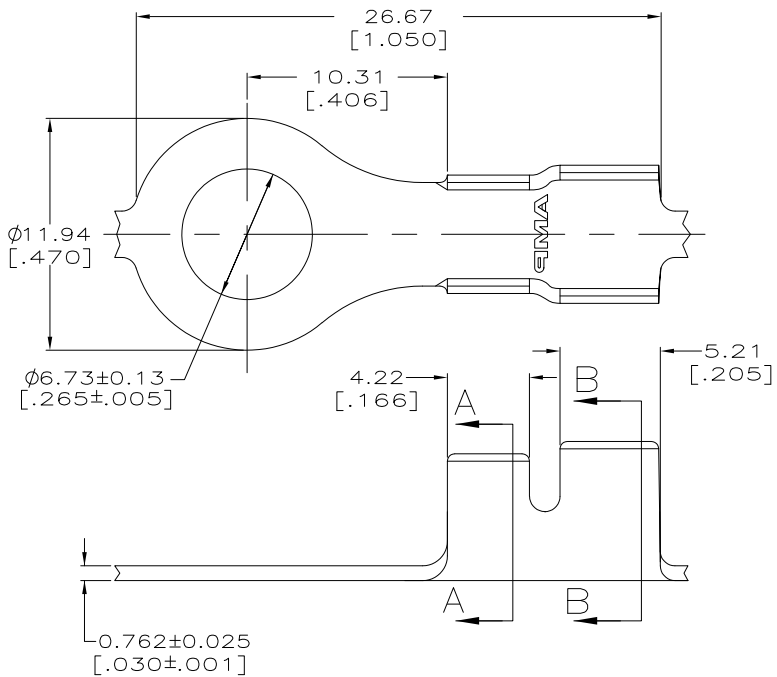
3

2

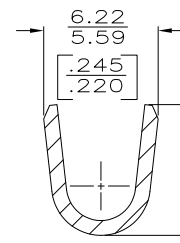
1

THIS DRAWING IS UNPUBLISHED. RELEASED FOR PUBLICATION
 © COPYRIGHT - BY TYCO ELECTRONICS CORPORATION. ALL INTERNATIONAL RIGHTS RESERVED.

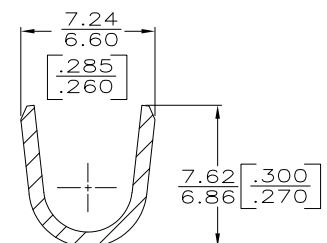
LOC	DIST	REVISIONS				
P	LTR	DESCRIPTION	DATE	DWN	APVD	
AF	50	H	REVISED PER ECR-10-006099	09JUL10	HMR	PD



1. CONTINUOUS STRIP ON REEL.



SECTION A-A



SECTION B-B

3.81-5.33 [.150-.210] DIA	12-10 AWG	62691-2
INSULATION RANGE	WIRE RANGE	PART NUMBER

THIS DRAWING IS A CONTROLLED DOCUMENT.		DWN PHILLIP M. FORTNEY 28JAN1999	Tyco Electronics Corporation Harrisburg, PA 17105-3608	
DIMENSIONS: mm [INCHES]		CHK JEFF R RUTH 29JAN1999	Tyco Electronics	
TOLERANCES UNLESS OTHERWISE SPECIFIED:		APVD JEREMY DUNCAN 28JAN1999	RING	
0 PLC ± -		PRODUCT SPEC	-	
1 PLC ± -		APPLICATION SPEC	-	
2 PLC ± 0.38 [015]		WEIGHT	-	
3 PLC ± -		SIZE	A3	00779
4 PLC ± -		FINISH	TIN	62691
MATERIAL 081 BRASS		RESTRICTED TO	-	
CUSTOMER DRAWING		SCALE	5:1	SHEET 1 OF 1
		REV	H	