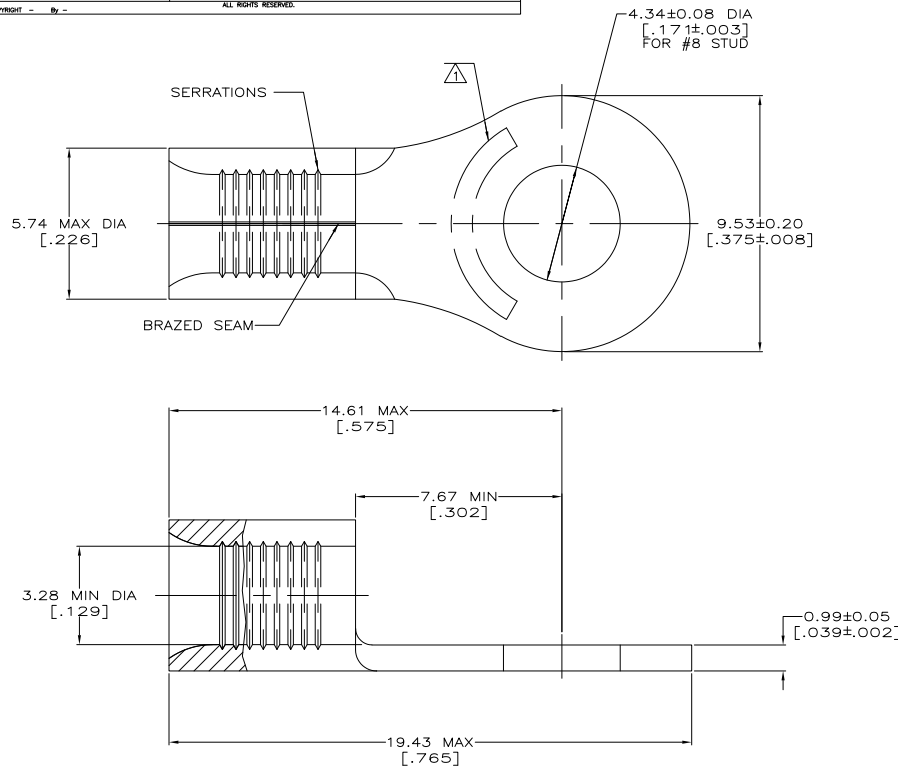


THIS DRAWING IS UNPUBLISHED. RELEASED FOR PUBLICATION. ALL RIGHTS RESERVED.

REV	DATE	DESCRIPTION	DAP	DATE	BY	APPD
G	14					
E2		REVISED PER ECO-11-004820		11MAR11	RK	HMR

AMP WIRE RANGE	Listed FILE E13288	LR7189 Certified
12-10 AWG SOLID OR STRANDED	12-10 AWG STRANDED	12-10 AWG SOLID OR STRANDED



- △ STAMP AMP 12-10* APPROX AS SHOWN
- △ COPPER PER ASTM B-152, ANNEALED
- △ TIN PLATE 0.00254 [.000100] MIN THK PER ASTM B545
- △ TIN/LEAD (93-7) PLATE PER ASTM B545 (3% MIN LEAD CONTENT).

QUANTITY	FINISH	PACKAGING TYPE	PART NO.
25	△3	LOOSE PIECE, BAG	8-32994-5
50	△3	LOOSE PIECE, BOX	8-32994-2
2500	△3	ON TAPE	2-32994-1
500	△4	LOOSE PIECE	32994-1
500	△3	LOOSE PIECE	32994

AMP INCORPORATED CUSTOMER SERVICE SYSTEMS		MAX RECOMMENDED OPERATING TEMPERATURE: 170°C
FOR ADDITIONAL PRODUCT INFORMATION OR COPIES OF DRAWINGS AND TECHNICAL DOCUMENTS	PRODUCT INFORMATION CENTER 1-800-522-8752	VOLTAGE RATING: N/A
FOR APPLICATION	TOOLING ASSISTANCE CENTER 1-800-722-1111	CIRCULAR MIL AREA: 2.62-6.64mm ² [5,180-13,100] SOLID OR STRANDED
FOR ORDER ENTRY	1-800-526-5142	

THIS DRAWING IS A CONTROLLED DOCUMENT.		FIN TA BRINKMAN 3-17-93	TE Connectivity	
		DR DA PATTERSON 3-17-93		
DIMENSIONS: MM (INCHES)		APR JL MECKLEY 3-17-93	TERM MECKLEY 3-17-93	
TOLERANCES UNLESS OTHERWISE SPECIFIED:		PRODUCT SPEC		
0 P/C ± .1 1 P/C ± .05 2 P/C ± .02 3 P/C ± .01 4 P/C ± .005 5 P/C ± .0025 6 P/C ± .0015 7 P/C ± .001 8 P/C ± .0005 9 P/C ± .00025 10 P/C ± .00015 11 P/C ± .0001 12 P/C ± .00005 13 P/C ± .000025 14 P/C ± .000015 15 P/C ± .00001		APPLICATION SPEC		
MATERIAL		WEIGHT		
FINISH		SIZE		
SEE NOTES		CAGE CODE		
		DRAWING NO		
		RESTRICTED TO		
		A2 00779 ©=32994		
		SCALE 10:1 SHEET 1 of 1 REV E2		

1471-9 (5/11)

32994

A