

4

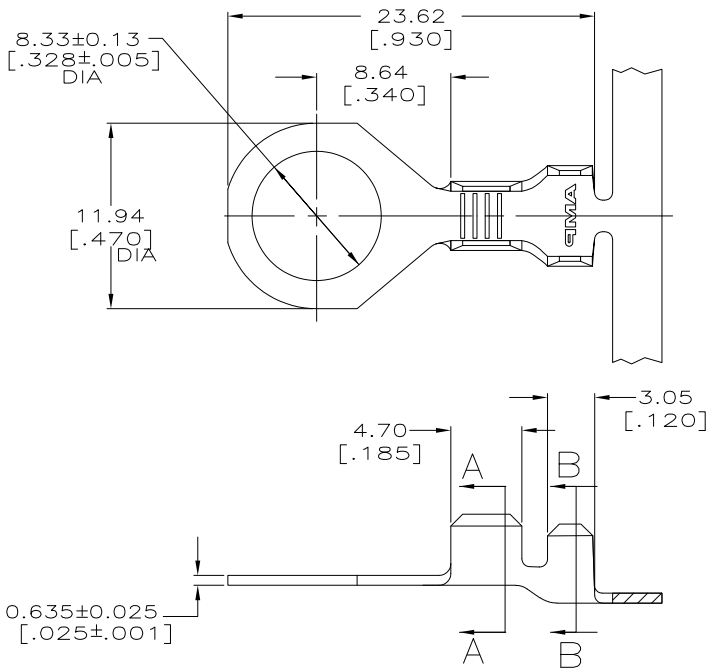
3

2

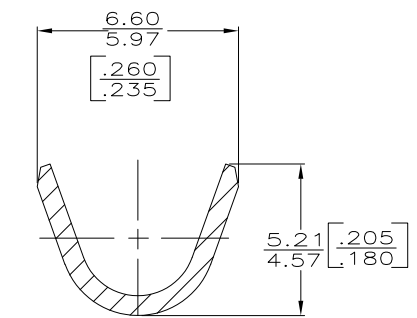
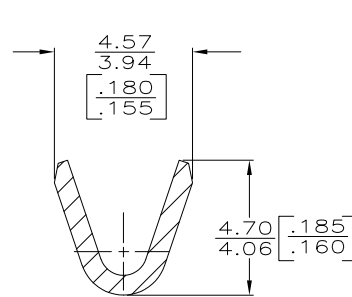
1

THIS DRAWING IS UNPUBLISHED. RELEASED FOR PUBLICATION
 © COPYRIGHT - BY TYCO ELECTRONICS CORPORATION. ALL INTERNATIONAL RIGHTS RESERVED.

LOC	DIST	REVISIONS				
P	LTR	DESCRIPTION	DATE	DWN	APVD	
AF	50					
D		REVISED PER ECR-10-006099	19JUL10	HMR	PD	



- 1 CONTINUOUS STRIP ON REEL.
- 2 INSULATION RANGE: 2.16-3.05 [.085-.120] F CRIMP
3.05-3.56 [.120-.140] O CRIMP.



2	[18-14] AWG	485030-1
INSULATION RANGE	WIRE RANGE	PART NO

THIS DRAWING IS A CONTROLLED DOCUMENT.		DWN PHILLIP M. FORTNEY 2/17/94	Tyco Electronics Corporation Harrisburg, PA 17105-3608	
DIMENSIONS: mm [INCHES]		CHK JEFF RUTH 2/17/94	NAME RING	
TOLERANCES UNLESS OTHERWISE SPECIFIED:		APVD GARY YETTER 2/17/94	RESTRICTED TO	
0 PLC ± -		PRODUCT SPEC	-	
1 PLC ± -		APPLICATION SPEC	-	
2 PLC ± 0.25 [.010]		WEIGHT	-	
3 PLC ± -		SIZE	A3	
4 PLC ± -		CAGE CODE	00779	
ANGLES ± -		DRAWING NO	C-485030	
MATERIAL 082 BRASS	FINISH TIN	CUSTOMER DRAWING	SCALE 4:1	SHEET 1 OF 1
			REV D	