

4

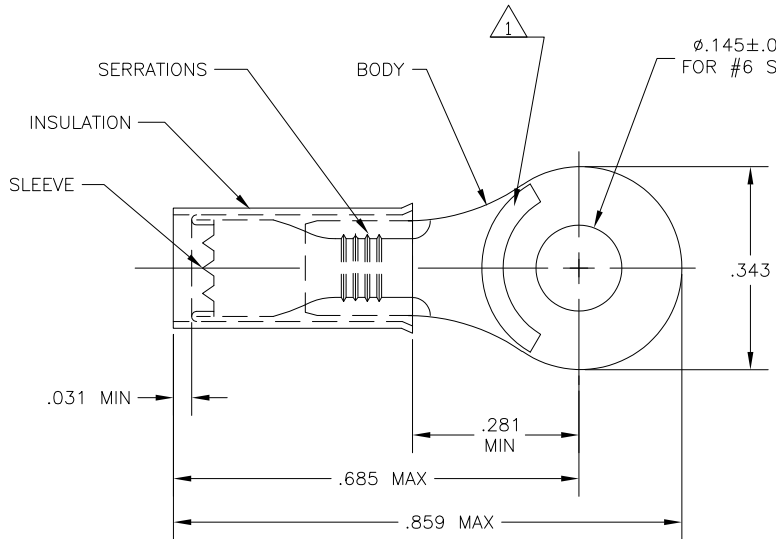
3

2

1

THIS DRAWING IS UNPUBLISHED. RELEASED FOR PUBLICATION
 © COPYRIGHT - By - ALL RIGHTS RESERVED.

LOC	DIST	REVISIONS			
P	LTR	DESCRIPTION	DATE	DWN	APVD
G	14				
	G2	REVISED PER ECO-11-005027	11MAR11	RK	HMR



- 1 STAMP MAY BE ON TOP OR BOTTOM
- 2 FOR .105 TO .150 WIRE INSULATION DIA.
- 3 MATERIAL TONGUE THK IS .031±.002

36157 ON TAPE	INSULATION: NYLON, COLOR BLUE BODY & SLEEVE:	2-36157-2
WIRE TERMINAL	COPPER PER ASTM B152 TIN PLATE PER ASTM B545	36157
DESCRIPTION	MATERIAL	PART NO

THIS DRAWING IS A CONTROLLED DOCUMENT.		DWN jr_ruth 17MAR09	TE Connectivity			
DIMENSIONS: INCHES		CHK TOM_MICHELUTTI 17MAR09			NAME	
TOLERANCES UNLESS OTHERWISE SPECIFIED: 0 PLC ± - 1 PLC ± - 2 PLC ± - 3 PLC ± .008 4 PLC ± - ± 5°		APVD TOM_MICHELUTTI 17MAR09	TERMINAL, PIDG RING TONGUE, WIRE SIZE 16-14 AWG			
MATERIAL SEE TABLE	FINISH SEE TABLE	PRODUCT SPEC APPLICATION SPEC WEIGHT	SIZE A3	CAGE CODE 00779	DRAWING NO C-36157	RESTRICTED TO
CUSTOMER DRAWING			SCALE 8:1	SHEET 1 of 1	REV G2	