

4

3

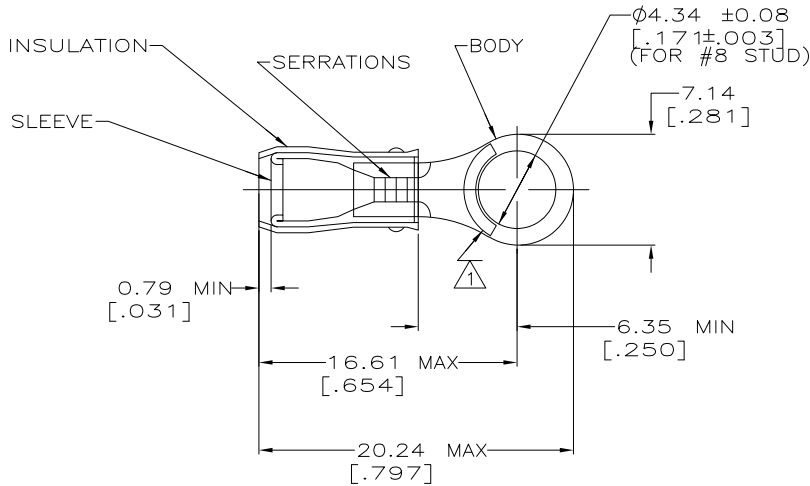
2

1

THIS DRAWING IS UNPUBLISHED. RELEASED FOR PUBLICATION  
 © COPYRIGHT - By - ALL RIGHTS RESERVED.

LOC	DIST	REVISIONS			
P	LTR	DESCRIPTION	DATE	DWN	APVD
G	14	REVISED PER ECO-11-004587	11MAR11	RK	HMR

<b>AMP</b> WIRE RANGE	E13288	LR7189 Certified
22-16 AWG SOLID OR STRANDED	22-16 AWG SOLID OR STRANDED	22-16 AWG SOLID OR STRANDED



△ STAMP AMP 22-18\* APPROX AS SHOWN  
 22-16 TERMINALS ARE STAMPED 22-18 IN  
 ACCORDANCE WITH MILITARY SPEC MIL-T-7928  
 COMMERCIAL WIRE RANGE IS 22-16

- WIRE INSUL DIA, 2.03-3.18 [.080-.125]
- TONGUE MATERIAL THK, 0.79±0.05 [.031±.002]

---	-----	-----
100	LOOSE PIECE, BOX	8-320554-1
5000	ON TAPE, REEL	2-320554-1
1000	LOOSE PIECE	320554
QTY	PACKAGE TYPE	PART NO

AMP INCORPORATED CUSTOMER SERVICE SYSTEM		MAX RECOMMENDED OPERATING TEMPERATURE: 105° C [221° F]	THIS DRAWING IS A CONTROLLED DOCUMENT.		DWN M ELLIS 26APR95	<b>STE</b> TE Connectivity	
FOR ADDITIONAL PRODUCT INFORMATION OR COPIES OF DRAWINGS AND TECHNICAL DOCUMENTS	PRODUCT INFORMATION CENTER 1-800-522-6752	VOLTAGE RATING: 300 V MAX	DIMENSIONS: mm(IN)	TOLERANCES UNLESS OTHERWISE SPECIFIED:	CHK C PRESNELL 26APR95	NAME N BIRCH	
FOR APPLICATION TOOLING INFORMATION	TOOLING ASSISTANCE CENTER 1-800-722-1111	CIRCULAR MIL AREA: 0.26mm <sup>2</sup> -1.65mm <sup>2</sup> [509-3260]		0 PLC ± - 1 PLC ± - 2 PLC ± 0.20[.008] 3 PLC ± - 4 PLC ± - ANGLES ± -	APVD N BIRCH 26APR95	PRODUCT SPEC UL 486A	
FOR ORDER ENTRY	1-800-526-5142		MATERIAL BODY,SLV,COPPER PER ASTM B 152 INSUL,NYLON,COLOR,RED	FINISH BODY & SLV,TIN PLATE PER MIL-T-10727	APPLICATION SPEC	SIZE A3	CAGE CODE 00779
					WEIGHT	DRAWING NO C-320554	RESTRICTED TO
					CUSTOMER DRAWING	SCALE 4:1	SHEET 1 OF 1
					REV G1		

1470-19 (3/11)