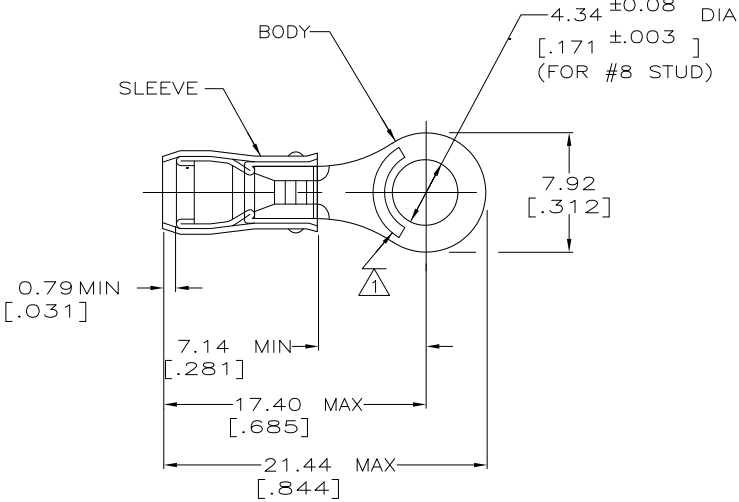


THIS DRAWING IS UNPUBLISHED. RELEASED FOR PUBLICATION
 © COPYRIGHT - By - ALL RIGHTS RESERVED.

LOC	DIST	REVISIONS				
P	LTR	DESCRIPTION	DATE	DWN	APVD	
G	14	Z1	REVISED PER ECO-11-004587	11MAR11	RK HMR	

AMP WIRE RANGE	E13288 Listed	LR7189 Certified
22-16 AWG SOLID OR STRANDED	22-16 AWG SOLID OR STRANDED	22-16 AWG SOLID OR STRANDED



- 1 STAMP AMP 22-18* APPROX AS SHOWN
22-16 TERMINALS ARE STAMPED 22-18 IN
ACCORDANCE WITH MILITARY SPEC MIL-T-7928
COMMERCIAL WIRE RANGE IS 22-16
- 2 WIRE INSULATION DIA: 2.03 - 3.18
[.080 - .125]
- 3 TONGUE MATERIAL THK: 0.79±0.05
[.031±.002]

-	100	LOOSE PIECE, BOX	6-320551-1
MS25036-149 CLASS 2	5000	ON TAPE, REEL	1-320551-1
MS25036-149 CLASS 1 & 2	1000	LOOSE PIECE	320551
MILITARY P/N AND CLASS	QUANTITY	PACKAGE TYPE	PART NO

AMP INCORPORATED CUSTOMER SERVICE SYSTEMS		MAX RECOMMENDED OPERATING TEMPERATURE: 105° C MAX
FOR ADDITIONAL PRODUCT INFORMATION OR COPIES OF DRAWINGS AND TECHNICAL DOCUMENTS	PRODUCT INFORMATION CENTER 1-800-522-6752	VOLTAGE RATING: 300 V MAX
FOR APPLICATION TOOLING INFORMATION	TOOLING ASSISTANCE CENTER 1-800-722-1111	CIRCULAR MIL AREA: 0.26-1.65mm ² [509-3,260] CIR MILS SOLID OR STRANDED
FOR ORDER ENTRY	1-800-526-5142	THIS DRAWING IS A CONTROLLED DOCUMENT FOR AMP INCORPORATED. IT IS SUBJECT TO CHANGE AND THE CONTROLLING ENGINEERING ORGANIZATION SHOULD BE CONTACTED FOR THE LATEST REVISION.

THIS DRAWING IS A CONTROLLED DOCUMENT.		DWN DK SCHRUM 9/8/93
DIMENSIONS: MM(INCHES)		CHK RE HERSEY 9/8/93
TOLERANCES UNLESS OTHERWISE SPECIFIED:		APVD ML ELLIS 9/8/93
0 PLC ± -		PRODUCT SPEC 9/8/93
1 PLC ± -		UL 486A K BARNABA
2 PLC ± 0.20[.008]		APPLICATION SPEC
3 PLC ± -		NOT AVAILABLE
4 PLC ± -		WEIGHT -
ANGLES ± -		CUSTOMER DRAWING
MATERIAL COPPER PER ASTM B-152	FINISH TIN PLATE	SCALE NTS

TE Connectivity		NAME TERMINAL, RING TONGUE, PIDG TM, WIRE SIZE, 26-16 AWG
SIZE A3	CAGE CODE 00779	DRAWING NO C=320551
RESTRICTED TO	SHEET 1 of 2	
REV Z1	SCALE NTS	

4

3

2

1

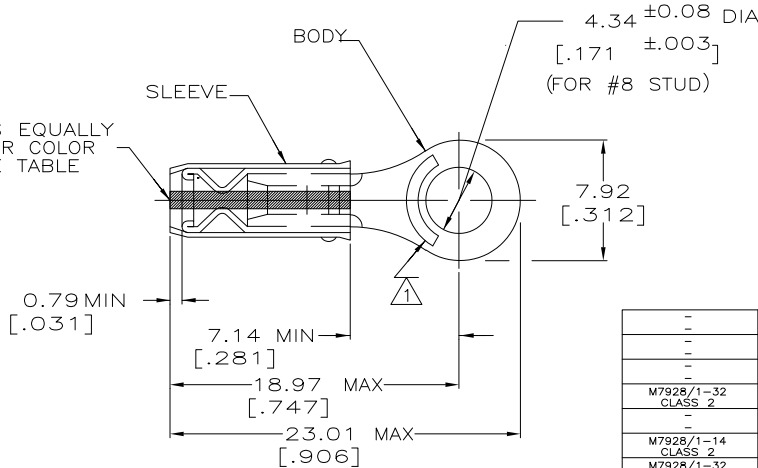
THIS DRAWING IS UNPUBLISHED. RELEASED FOR PUBLICATION
 © COPYRIGHT - By - ALL RIGHTS RESERVED.

LOC	DIST	REVISIONS					
		P	LTR	DESCRIPTION	DATE	DWN	APVD
G	14	Z1		REVISED PER ECO-11-004587	11MAR11	RK	HMR

AMP
WIRE RANGE

SEE TABLE
STRANDED

3 STRIPES EQUALLY SPACED FOR COLOR CODE: SEE TABLE



1 STAMP AMP APPROX AS SHOWN
SEE TABLE BELOW

2 WIRE INSULATION DIA: 0.97 - 2.79 FOR 22 AWG
[.038 - .110]
1.17 - 2.79 FOR 20 AWG
[.046 - .110]
1.42 - 2.79 FOR 18 AWG
[.056 - .110]

3 TONGUE MATERIAL THK: 0.79 ±0.05
[.031 ±.002]

MILITARY P/N AND CLASS	STRIPE COLOR	STAMPING	WIRE SIZE	QUANTITY	PACKAGE TYPE	PART NO
-	WHITE	18*	18	100	LOOSE PIECE, BOX	9-320551-1
-	RED	20*	20	100	LOOSE PIECE, BOX	8-320551-1
-	GREEN	22*	22	100	LOOSE PIECE, BOX	7-320551-1
M7928/1-32 CLASS 2	WHITE	18*	18	5000	ON TAPE, REEL	1-320551-8
-	RED	20*	20	5000	ON TAPE, REEL	1-320551-7
M7928/1-14 CLASS 2	GREEN	22*	22	5000	ON TAPE, REEL	1-320551-5
M7928/1-32 CLASS 1 & 2	WHITE	18*	18	1000	LOOSE PIECE	1-320551-4
M7928/1-23 CLASS 1 & 2	RED	20*	20	1000	LOOSE PIECE	1-320551-3
M7928/1-14 CLASS 1 & 2	GREEN	22*	22	1000	LOOSE PIECE	1-320551-2

AMP INCORPORATED
CUSTOMER SERVICE SYSTEMS

MAX RECOMMENDED OPERATING TEMPERATURE: 105°C MAX

THIS DRAWING IS A CONTROLLED DOCUMENT.

FOR ADDITIONAL PRODUCT INFORMATION OR COPIES OF DRAWINGS AND TECHNICAL DOCUMENTS 1-800-522-6752
 PRODUCT INFORMATION CENTER

FOR APPLICATION TOOLING ASSISTANCE CENTER
 TOOLING INFORMATION 1-800-722-1111

VOLTAGE RATING: 300 V MAX

WIRE RANGE: CIRC MIL AREA:
 22 0.38mm² [754]
 20 0.60mm² [1,186]
 18 0.96mm² [1,900]
 STRANDED

DIMENSIONS: INCHES

TOLERANCES UNLESS OTHERWISE SPECIFIED:
 0 PLC ± -
 1 PLC ± -
 2 PLC ±0.20[.008]
 3 PLC ± -
 4 PLC ANGLES ± -

MATERIAL COPPER PER ASTM B-152

FINISH TIN PLATE

DWN DK SCHRUM 9/8/93
 CHK RE HERSEY 9/8/93
 APVD ML ELLIS 9/8/93
 PRODUCT SPEC
 APPLICATION SPEC
 NOT AVAILABLE
 WEIGHT -
 CUSTOMER DRAWING

TE TE Connectivity

NAME TERMINAL, RING TONGUE, I.R., PIDG TM

SIZE A3 CAGE CODE 00779 DRAWING NO C-320551 RESTRICTED TO -

SCALE NTS SHEET 2 OF 2 REV Z1