

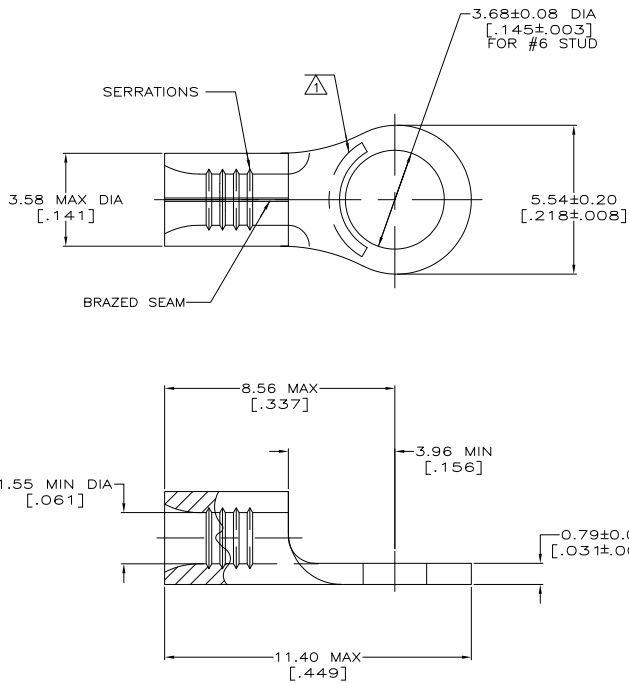
THE DRAWING IS UNPUBLISHED.
 RELEASED FOR PUBLICATION
 ALL RIGHTS RESERVED.

LOC	QTY	REV	DESCRIPTION	MS	DATE	BY	APP
G	14	F1	REVISED PER ECO-11-004587		11MAR11	RK	HMR



AMP WIRE RANGE	E13288 Listed
22-16 AWG SOLID OR STRANDED	22-16 AWG SOLID OR STRANDED
LR7189 Certified	MILITARY P/N AND CLASS
22-16 AWG SOLID OR STRANDED	NOT APPLICABLE

- △ STAMP AMP 22-18* APPROX AS SHOWN
22-16 TERMINALS ARE STAMPED 22-18 IN
ACCORDANCE WITH MILITARY SPECIFICATION
MIL-T-7928; COMMERCIAL WIRE RANGE IS 22-16
- △ 0.00254 [0.000100] MIN TIN PER ASTM B-545
- △ CLEANED, UNPLATED



**AMP INCORPORATED
 CUSTOMER SERVICE SYSTEMS**

MAX RECOMMENDED OPERATING
 TEMPERATURE:
 170° C MAX

FOR ADDITIONAL
 PRODUCT INFORMATION OR
 COPIES OF DRAWINGS
 AND TECHNICAL DOCUMENTS

PRODUCT INFORMATION CENTER
 1-800-522-6752

VOLTAGE RATING:
 NOT APPLICABLE

FOR APPLICATION
 TOOLING INFORMATION

TOOLING ASSISTANCE CENTER
 1-800-722-1111

WIRE CROSS SECTIONAL AREA RANGE:
 0.26-1.65mm² [509-3,260] CIR MILS
 SOLID OR STRANDED

FOR ORDER ENTRY

1-800-526-5142

THIS DRAWING IS A CONTROLLED DOCUMENT FOR
 AMP INCORPORATED. IT IS SUBJECT TO CHANGE
 AND THE CONTROLLING ENGINEERING ORGANIZATION
 SHOULD BE CONTACTED FOR THE LATEST REVISION.

△	-	LOOSE PIECE	34105-3
△	100	LOOSE PIECE, BOX	8-34105-1
△	5000	ON TAPE	2-34105-2
△	-	LOOSE PIECE	34105
FINISH	QUANTITY	PACKAGING TYPE	PART NO

THIS DRAWING IS A CONTROLLED DOCUMENT.		BY TA BRINKMAN 3-10-93		TE Connectivity
DIMENSIONS: mm [INCHES]		CHK DA PATTERSON 3-10-93		NAME
TO DIMENSIONS UNLESS OTHERWISE SPECIFIED:		APP'D JL MECKLEY 3-10-93	PRODUCT SPEC	
MATERIAL: COPPER PER		FINISH	APPLICATION SPEC	
WEIGHT		SIZE	CAGE CODE	DRAWING NO
CUSTOMER DRAWING		A2	00779	34105
SCALE		10:1	SHEET	1 of 1
REV		F1		