

4

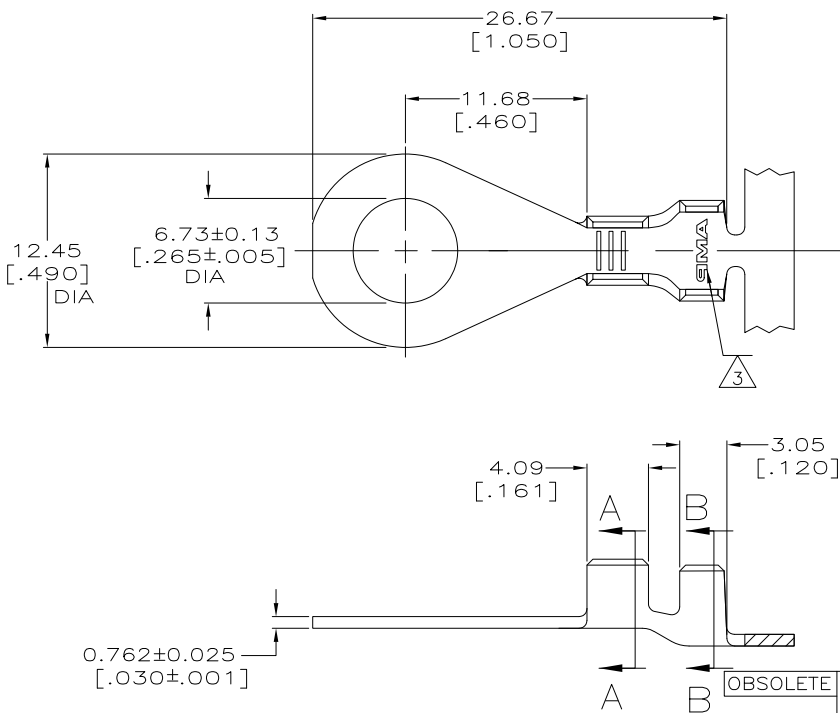
3

2

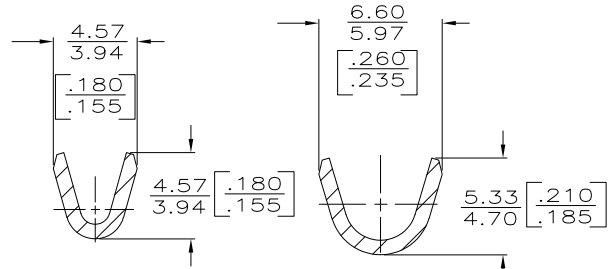
1

THIS DRAWING IS UNPUBLISHED. RELEASED FOR PUBLICATION
 © COPYRIGHT BY TYCO ELECTRONICS CORPORATION. ALL INTERNATIONAL RIGHTS RESERVED.

LOC	DIST	REVISIONS				
P	LTR	DESCRIPTION	DATE	DWN	APVD	
J1		REVISED PER ECR-09-000368	20JAN09	HMR	DD	



- 1 CONTINUOUS STRIP ON REEL.
- 2 INSULATION RANGE:
2.03-2.92 [.080-.115] F CRIMP
2.92-3.81 [.115-.150] O CRIMP.
- 3 STAMPING:
AMP FOR PART NO 61867-2
AMP* FOR PART NO 61867-3.



SECTION A-A
SCALE 5:1

SECTION B-B
SCALE 5:1

[18-14] AWG	H02 PHOS BRZ	61867-3-
	082 BRASS	61867-2
INSULATION RANGE	WIRE RANGE	MATERIAL
		PART NO

THIS DRAWING IS A CONTROLLED DOCUMENT.

DIMENSIONS: INCHES	TOLERANCES UNLESS OTHERWISE SPECIFIED:	DWN: PHILLIP M. FORTNEY 2/16/94	CHK: JEFF RUTH 2/16/94	APVD: GARY YETTER 2/16/94	NAME: GARY YETTER	PRODUCT SPEC: RON KUZO	APPLICATION SPEC:	SIZE: A3	CAGE CODE: 00779	DRAWING NO: 61867	RESTRICTED TO:	
0 PLC ± -	1 PLC ± -	2 PLC ± 0.25 [010]	3 PLC ± -	4 PLC ± -	RING							
MATERIAL: SEE TABLE	FINISH: 0.002032 [.000080] MIN TIN PL PER MIL-T-10727	WEIGHT: -	CUSTOMER DRAWING			SCALE: 4:1	SHEET: 1 OF 1	REV: J1				

Tyco Electronics Corporation
Harrisburg, PA 17105-3608