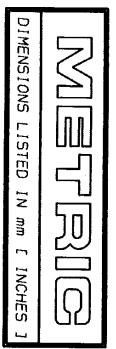
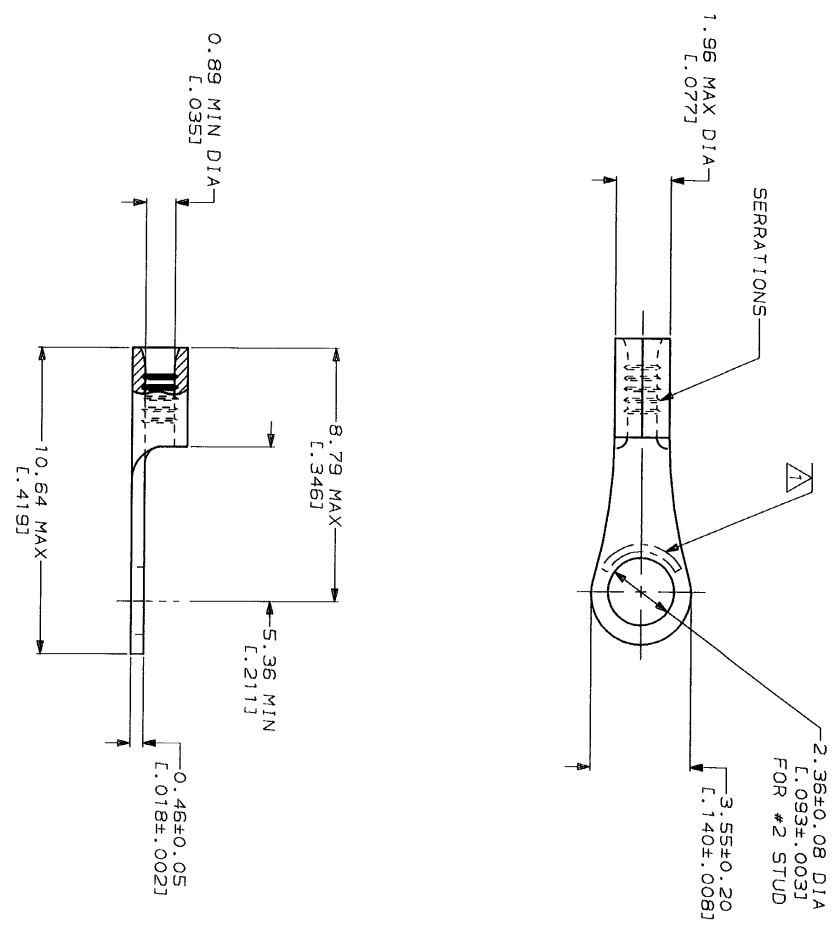


REV	DATE	DESCRIPTION
0	2-2-93	RELEASED PER 0720-0008-93



AMP WIRE RANGE	UL E13288 Listed
26-22 AWG STRANDED	NOT LISTED
LR2189 Certified	MILITARY P/N AND CLASS
NOT CERTIFIED	NOT APPLICABLE

△ STAMP AMP APPROX AS SHOWN



**AMP INCORPORATED
CUSTOMER SERVICE SYSTEMS**

FOR ADDITIONAL PRODUCT INFORMATION OR COPIES OF DRAWINGS AND TECHNICAL DOCUMENTS	PRODUCT INFORMATION CENTER 1-800-522-6752
FOR APPLICATION TOOLING INFORMATION	TOOLING ASSISTANCE CENTER 1-800-722-1111
FOR ORDER ENTRY	1-800-526-5142

MAX RECOMMENDED OPERATING
TEMPERATURE: 170°C MAX

VOLTAGE RATING:
NOT APPLICABLE

WIRE CROSS SECTIONAL AREA RANGE:
0.1-0.41mm² (202-810) CIR MILS
STRANDED

DO NOT SCALE PRINT.
DIMENSIONS LISTED IN INCHES—
TOLERANCES ON: .015
2 PLG DEC ± .015
3 PLG DEC ± .015
ANGLES MATERIAL

FINISH TIN PLATE
0.00254T(.00100) MIN
THK PER MIL-T-10727

DR 2-2-93 TA BRINKMAN
CHK 2-2-93 DA PATTERSON
APPD 2-2-93 DE MILLER
APPD 2-2-93 JL MECKLEY
PRODUCT SPEC
APPLICATION SPEC
WEIGHT

AMP	AMP Incorporated Harrisburg, PA 17105-3608
NAME	TERMINAL, RING TONGUE, BUDGET
SIZE	CAGE CODE 00779 DRAWING NO 322771
SCALE	8:1

322771
PART NO