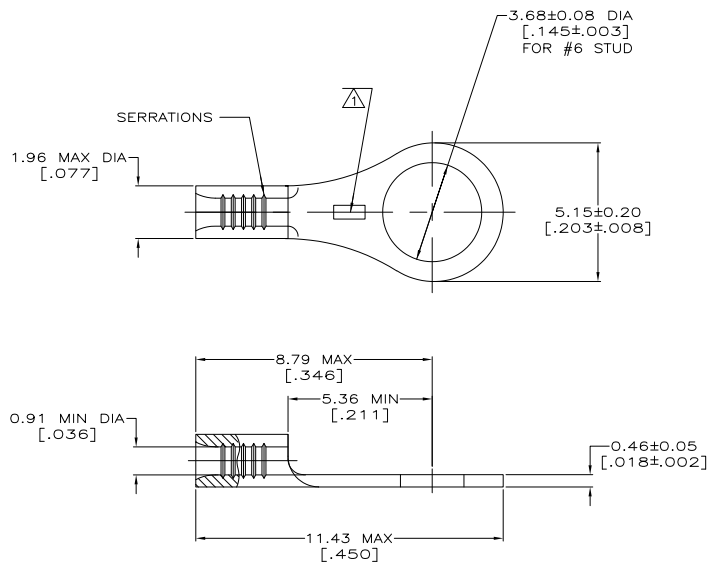


THE DRAWING IS UNPUBLISHED. RELEASED FOR PUBLICATION. ALL RIGHTS RESERVED.

LOC	QTY	REV	DESCRIPTION	DATE	BY	APP
G	14	P	REVISED PER ECO-11-005027	11MAR11	RK	HMR



AMP WIRE RANGE	E13288 Listed
26-22 AWG STRANDED	NOT LISTED
LR7189 Certified	MILITARY P/N AND CLASS
NOT CERTIFIED	NOT APPLICABLE

STAMP AMP APPROX AS SHOWN

AMP INCORPORATED CUSTOMER SERVICE SYSTEMS		MAX RECOMMENDED OPERATING TEMPERATURE: 170° C MAX
FOR ADDITIONAL PRODUCT INFORMATION OR COPIES OF DRAWINGS AND TECHNICAL DOCUMENTS	PRODUCT INFORMATION CENTER 1-800-522-6752	VOLTAGE RATING: NOT APPLICABLE
FOR APPLICATION TOOLING INFORMATION	TOOLING ASSISTANCE CENTER 1-800-722-1111	WIRE CROSS SECTIONAL AREA RANGE: 0.1-0.41mm ² [202-810] CIR MILS STRANDED
FOR ORDER ENTRY	1-800-526-5142	THIS DRAWING IS A CONTROLLED DOCUMENT FOR AMP INCORPORATED. IT IS SUBJECT TO CHANGE AND THE CONTROLLING ENGINEERING ORGANIZATION SHOULD BE CONTACTED FOR THE LATEST REVISION.

THIS DRAWING IS A CONTROLLED DOCUMENT.		BY TA BRINKMAN 2-2-93	31430 PART NO																																																																																																																																																																																																												
DRAWN DA PATTERSON 2-2-93		TE Connectivity																																																																																																																																																																																																													
CHECKED DE MILLER 2-2-93		TERMINAL, RING TONGUE, BUDGET																																																																																																																																																																																																													
MATERIAL COPPER PER ASTM B-152 ANNEALED		FINISH TIN PLATE 0.0025(±.000100) MIN THK PER ASTM B463		RESTRICTED TO —																																																																																																																																																																																																											
DIMENSIONS mm(INCHES)		TOLERANCES UNLESS OTHERWISE SPECIFIED:		SIZE A2																																																																																																																																																																																																											
<table border="1"> <tr><td>Ø</td><td>PLC</td><td>±</td><td>—</td></tr> <tr><td>1</td><td>PLC</td><td>±</td><td>—</td></tr> <tr><td>2</td><td>PLC</td><td>±</td><td>—</td></tr> <tr><td>3</td><td>PLC</td><td>±</td><td>—</td></tr> <tr><td>4</td><td>PLC</td><td>±</td><td>—</td></tr> <tr><td>5</td><td>PLC</td><td>±</td><td>—</td></tr> <tr><td>6</td><td>PLC</td><td>±</td><td>—</td></tr> <tr><td>7</td><td>PLC</td><td>±</td><td>—</td></tr> <tr><td>8</td><td>PLC</td><td>±</td><td>—</td></tr> <tr><td>9</td><td>PLC</td><td>±</td><td>—</td></tr> <tr><td>10</td><td>PLC</td><td>±</td><td>—</td></tr> <tr><td>11</td><td>PLC</td><td>±</td><td>—</td></tr> <tr><td>12</td><td>PLC</td><td>±</td><td>—</td></tr> <tr><td>13</td><td>PLC</td><td>±</td><td>—</td></tr> <tr><td>14</td><td>PLC</td><td>±</td><td>—</td></tr> <tr><td>15</td><td>PLC</td><td>±</td><td>—</td></tr> <tr><td>16</td><td>PLC</td><td>±</td><td>—</td></tr> <tr><td>17</td><td>PLC</td><td>±</td><td>—</td></tr> <tr><td>18</td><td>PLC</td><td>±</td><td>—</td></tr> <tr><td>19</td><td>PLC</td><td>±</td><td>—</td></tr> <tr><td>20</td><td>PLC</td><td>±</td><td>—</td></tr> <tr><td>21</td><td>PLC</td><td>±</td><td>—</td></tr> <tr><td>22</td><td>PLC</td><td>±</td><td>—</td></tr> <tr><td>23</td><td>PLC</td><td>±</td><td>—</td></tr> <tr><td>24</td><td>PLC</td><td>±</td><td>—</td></tr> <tr><td>25</td><td>PLC</td><td>±</td><td>—</td></tr> <tr><td>26</td><td>PLC</td><td>±</td><td>—</td></tr> <tr><td>27</td><td>PLC</td><td>±</td><td>—</td></tr> <tr><td>28</td><td>PLC</td><td>±</td><td>—</td></tr> <tr><td>29</td><td>PLC</td><td>±</td><td>—</td></tr> <tr><td>30</td><td>PLC</td><td>±</td><td>—</td></tr> <tr><td>31</td><td>PLC</td><td>±</td><td>—</td></tr> <tr><td>32</td><td>PLC</td><td>±</td><td>—</td></tr> <tr><td>33</td><td>PLC</td><td>±</td><td>—</td></tr> <tr><td>34</td><td>PLC</td><td>±</td><td>—</td></tr> <tr><td>35</td><td>PLC</td><td>±</td><td>—</td></tr> <tr><td>36</td><td>PLC</td><td>±</td><td>—</td></tr> <tr><td>37</td><td>PLC</td><td>±</td><td>—</td></tr> <tr><td>38</td><td>PLC</td><td>±</td><td>—</td></tr> <tr><td>39</td><td>PLC</td><td>±</td><td>—</td></tr> <tr><td>40</td><td>PLC</td><td>±</td><td>—</td></tr> <tr><td>41</td><td>PLC</td><td>±</td><td>—</td></tr> <tr><td>42</td><td>PLC</td><td>±</td><td>—</td></tr> <tr><td>43</td><td>PLC</td><td>±</td><td>—</td></tr> <tr><td>44</td><td>PLC</td><td>±</td><td>—</td></tr> <tr><td>45</td><td>PLC</td><td>±</td><td>—</td></tr> <tr><td>46</td><td>PLC</td><td>±</td><td>—</td></tr> <tr><td>47</td><td>PLC</td><td>±</td><td>—</td></tr> <tr><td>48</td><td>PLC</td><td>±</td><td>—</td></tr> <tr><td>49</td><td>PLC</td><td>±</td><td>—</td></tr> <tr><td>50</td><td>PLC</td><td>±</td><td>—</td></tr> </table>		Ø	PLC	±	—	1	PLC	±	—	2	PLC	±	—	3	PLC	±	—	4	PLC	±	—	5	PLC	±	—	6	PLC	±	—	7	PLC	±	—	8	PLC	±	—	9	PLC	±	—	10	PLC	±	—	11	PLC	±	—	12	PLC	±	—	13	PLC	±	—	14	PLC	±	—	15	PLC	±	—	16	PLC	±	—	17	PLC	±	—	18	PLC	±	—	19	PLC	±	—	20	PLC	±	—	21	PLC	±	—	22	PLC	±	—	23	PLC	±	—	24	PLC	±	—	25	PLC	±	—	26	PLC	±	—	27	PLC	±	—	28	PLC	±	—	29	PLC	±	—	30	PLC	±	—	31	PLC	±	—	32	PLC	±	—	33	PLC	±	—	34	PLC	±	—	35	PLC	±	—	36	PLC	±	—	37	PLC	±	—	38	PLC	±	—	39	PLC	±	—	40	PLC	±	—	41	PLC	±	—	42	PLC	±	—	43	PLC	±	—	44	PLC	±	—	45	PLC	±	—	46	PLC	±	—	47	PLC	±	—	48	PLC	±	—	49	PLC	±	—	50	PLC	±	—	APPLICATION SPEC —	
Ø	PLC	±	—																																																																																																																																																																																																												
1	PLC	±	—																																																																																																																																																																																																												
2	PLC	±	—																																																																																																																																																																																																												
3	PLC	±	—																																																																																																																																																																																																												
4	PLC	±	—																																																																																																																																																																																																												
5	PLC	±	—																																																																																																																																																																																																												
6	PLC	±	—																																																																																																																																																																																																												
7	PLC	±	—																																																																																																																																																																																																												
8	PLC	±	—																																																																																																																																																																																																												
9	PLC	±	—																																																																																																																																																																																																												
10	PLC	±	—																																																																																																																																																																																																												
11	PLC	±	—																																																																																																																																																																																																												
12	PLC	±	—																																																																																																																																																																																																												
13	PLC	±	—																																																																																																																																																																																																												
14	PLC	±	—																																																																																																																																																																																																												
15	PLC	±	—																																																																																																																																																																																																												
16	PLC	±	—																																																																																																																																																																																																												
17	PLC	±	—																																																																																																																																																																																																												
18	PLC	±	—																																																																																																																																																																																																												
19	PLC	±	—																																																																																																																																																																																																												
20	PLC	±	—																																																																																																																																																																																																												
21	PLC	±	—																																																																																																																																																																																																												
22	PLC	±	—																																																																																																																																																																																																												
23	PLC	±	—																																																																																																																																																																																																												
24	PLC	±	—																																																																																																																																																																																																												
25	PLC	±	—																																																																																																																																																																																																												
26	PLC	±	—																																																																																																																																																																																																												
27	PLC	±	—																																																																																																																																																																																																												
28	PLC	±	—																																																																																																																																																																																																												
29	PLC	±	—																																																																																																																																																																																																												
30	PLC	±	—																																																																																																																																																																																																												
31	PLC	±	—																																																																																																																																																																																																												
32	PLC	±	—																																																																																																																																																																																																												
33	PLC	±	—																																																																																																																																																																																																												
34	PLC	±	—																																																																																																																																																																																																												
35	PLC	±	—																																																																																																																																																																																																												
36	PLC	±	—																																																																																																																																																																																																												
37	PLC	±	—																																																																																																																																																																																																												
38	PLC	±	—																																																																																																																																																																																																												
39	PLC	±	—																																																																																																																																																																																																												
40	PLC	±	—																																																																																																																																																																																																												
41	PLC	±	—																																																																																																																																																																																																												
42	PLC	±	—																																																																																																																																																																																																												
43	PLC	±	—																																																																																																																																																																																																												
44	PLC	±	—																																																																																																																																																																																																												
45	PLC	±	—																																																																																																																																																																																																												
46	PLC	±	—																																																																																																																																																																																																												
47	PLC	±	—																																																																																																																																																																																																												
48	PLC	±	—																																																																																																																																																																																																												
49	PLC	±	—																																																																																																																																																																																																												
50	PLC	±	—																																																																																																																																																																																																												
WEIGHT —		DRAWING NO 00779																																																																																																																																																																																																													
CUSTOMER DRAWING		SCALE 10:1																																																																																																																																																																																																													
SHEET 1 of 1		REV P																																																																																																																																																																																																													

141-9 (5/11)