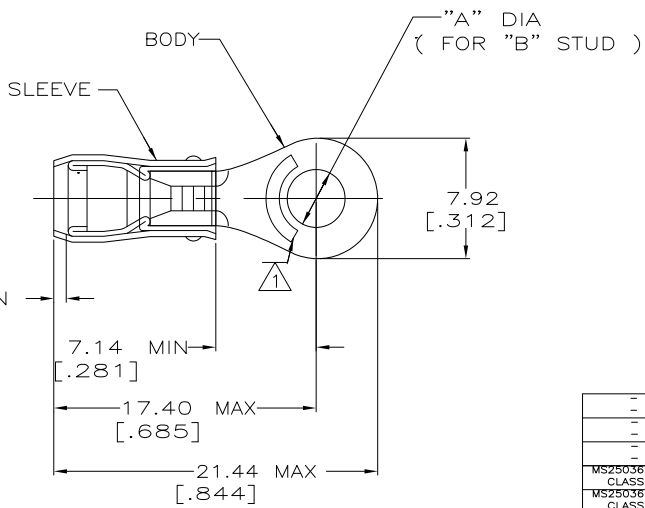


THIS DRAWING IS UNPUBLISHED. RELEASED FOR PUBLICATION
 © COPYRIGHT - By - ALL RIGHTS RESERVED.

LOC	DIST	REVISIONS					
G	14	P	LTR	DESCRIPTION	DATE	DWN	APVD
		AB1		REVISED PER ECO-11-004587	11MAR11	RK	HMR

AMP WIRE RANGE	E13288 Listed	LR7189 Certified
16-14 AWG SOLID OR STRANDED	16-14 AWG SOLID OR STRANDED	16-14 AWG SOLID OR STRANDED



- 1 STAMP AMP 16-14* APPROX AS SHOWN
- 2 WIRE INSULATION DIA: 2.67-3.81
[.105-.150]
- 3 TONGUE MATERIAL THK: 0.79±0.05
[.031±.002]

-	10	5.00±0.08	[.197±.003]	100	LOOSE PIECE, BOX	5-51864-1
-	8	4.34±0.08	[.171±.003]	100	LOOSE PIECE, BOX	4-51864-1
-	6	3.68±0.08	[.145±.003]	100	LOOSE PIECE, BOX	3-51864-1
MS25036-153	8	4.34±0.08	[.171±.003]	5000	ON TAPE, REEL	51864-5
MS25036-108	10	5.00±0.08	[.197±.003]	5000	ON TAPE, REEL	51864-4
MS25036-107	6	3.68±0.08	[.145±.003]	5000	ON TAPE, REEL	51864-3
MS25036-108	10	5.00±0.08	[.197±.003]	1000	LOOSE PIECE	51864-2
MS25036-153	8	4.34±0.08	[.171±.003]	1000	LOOSE PIECE	51864-1
MS25036-107	6	3.68±0.08	[.145±.003]	1000	LOOSE PIECE	51864
MILITARY P/N AND CLASS	"B"	DIM "A"		QUANTITY	PACKAGE TYPE	PART NO

AMP INCORPORATED CUSTOMER SERVICE SYSTEMS		MAX RECOMMENDED OPERATING TEMPERATURE: 105° C MAX
FOR ADDITIONAL PRODUCT INFORMATION OR COPIES OF DRAWINGS AND TECHNICAL DOCUMENTS	PRODUCT INFORMATION CENTER 1-800-522-6752	VOLTAGE RATING: 300 V MAX
FOR APPLICATION	TOOLING ASSISTANCE CENTER 1-800-722-1111	CIRCULAR MIL AREA: 1.04-2.62mm ² [2050-5180] CIR MILS SOLID OR STRANDED
FOR ORDER ENTRY	1-800-526-5142	THIS DRAWING IS A CONTROLLED DOCUMENT FOR AMP INCORPORATED. IT IS SUBJECT TO CHANGE AND THE CONTROLLING ENGINEERING ORGANIZATION SHOULD BE CONTACTED FOR THE LATEST REVISION.

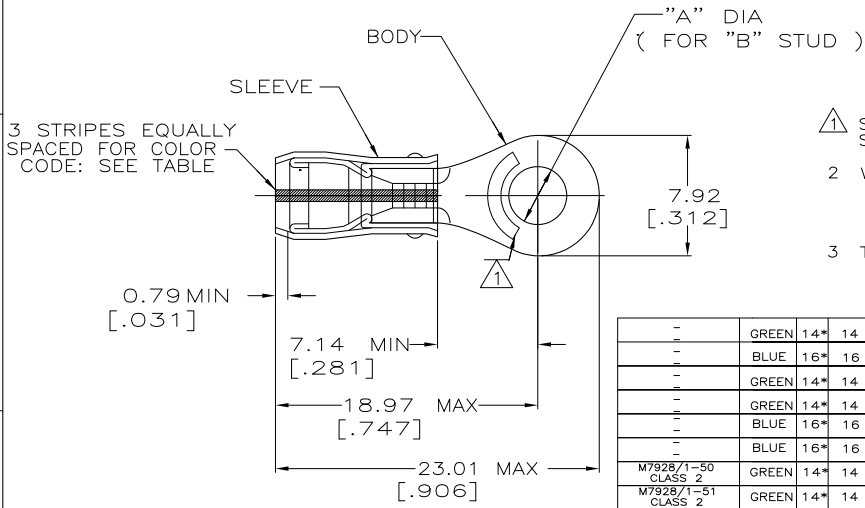
THIS DRAWING IS A CONTROLLED DOCUMENT.		DWN JR RUTH 270CT99	STE TE Connectivity	
DIMENSIONS: mm(INCHES)	TOLERANCES UNLESS OTHERWISE SPECIFIED:	CHK RE HERSEY 270CT99	NAME TERMINAL, RING TONGUE, PIDG,™ WIRE SIZE, 16-14 AWG	
	0 PLC ±- 1 PLC ±- 3 PLC ± 0.20[.008] 4 PLC ±- ANGLES ±-	APVD C PRESNELL 270CT99	PRODUCT SPEC UL 486A	
MATERIAL COPPER PER ASTM B-152 SLEEVE, BLUE NYLON	FINISH TIN PLATE PER ASTM B545	APPLICATION SPEC	SIZE A3	CAGE CODE 00779
CUSTOMER DRAWING		WEIGHT -	DRAWING NO C=51864	RESTRICTED TO -
		SCALE NTS		SHEET 1 of 2
				REV AB1

CUSTOMER DRAWING

THIS DRAWING IS UNPUBLISHED. RELEASED FOR PUBLICATION. ALL RIGHTS RESERVED.

LOC	DIST	REVISIONS					
G	14	P	LTR	DESCRIPTION	DATE	DWN	APVD
		AB1		REVISED PER ECO-11-004587	11MAR11	RK	HMR

AMP
WIRE RANGE
SEE TABLE
STRANDED



- ⚠ STAMP AMP APPROX AS SHOWN SEE TABLE BELOW
- 2 WIRE INSULATION DIA: 1.60-3.30 FOR 16 AWG [.063-.130]
1.98-3.30 FOR 14 AWG [.078-.130]
- 3 TONGUE MATERIAL THK: 0.79±0.05 [.031±.002]

-	GREEN	14*	14	8	4.34±0.08	[.171±.003]	100	LOOSE PIECE, BOX	9-51864-5			
-	BLUE	16*	16	8	4.34±0.08	[.171±.003]	100	LOOSE PIECE, BOX	9-51864-3			
-	GREEN	14*	14	10	5.00±0.08	[.197±.003]	100	LOOSE PIECE, BOX	9-51864-1			
-	GREEN	14*	14	6	3.68±0.08	[.145±.003]	100	LOOSE PIECE, BOX	8-51864-1			
-	BLUE	16*	16	10	5.00±0.08	[.197±.003]	100	LOOSE PIECE, BOX	7-51864-1			
-	BLUE	16*	16	6	3.68±0.08	[.145±.003]	100	LOOSE PIECE, BOX	6-51864-1			
M7928/1-50	GREEN	14*	14	8	4.34±0.08	[.171±.003]	5000	ON TAPE, REEL	1-51864-7			
M7928/1-51	GREEN	14*	14	10	5.00±0.08	[.197±.003]	5000	ON TAPE, REEL	1-51864-5			
M7928/1-42	BLUE	16*	16	10	5.00±0.08	[.197±.003]	5000	ON TAPE, REEL	1-51864-3			
M7928/1-40	BLUE	16*	16	6	3.68±0.08	[.145±.003]	5000	ON TAPE, REEL	1-51864-2			
M7928/1-50	GREEN	14*	14	8	4.34±0.08	[.171±.003]	1000	LOOSE PIECE	1-51864-1			
M7928/1-41	BLUE	16*	16	8	4.34±0.08	[.171±.003]	1000	LOOSE PIECE	1-51864-0			
M7928/1-51	GREEN	14*	14	10	5.00±0.08	[.197±.003]	1000	LOOSE PIECE	51864-9			
M7928/1-49	GREEN	14*	14	6	3.68±0.08	[.145±.003]	1000	LOOSE PIECE	51864-8			
M7928/1-42	BLUE	16*	16	10	5.00±0.08	[.197±.003]	1000	LOOSE PIECE	51864-7			
M7928/1-40	BLUE	16*	16	6	3.68±0.08	[.145±.003]	1000	LOOSE PIECE	51864-6			
MILITARY P/N AND CLASS	STRIPES COLOR	WIRE SIZE	"B"		DIM "A"	QUANTITY	PACKAGE TYPE	PART NO				

AMP INCORPORATED CUSTOMER SERVICE SYSTEMS		MAX RECOMMENDED OPERATING TEMPERATURE: 105° C MAX		THIS DRAWING IS A CONTROLLED DOCUMENT.				DWN JR RUTH 26OCT99		26OCT99		STE TE Connectivity	
FOR ADDITIONAL PRODUCT INFORMATION OR COPIES OF DRAWINGS AND TECHNICAL DOCUMENTS		PRODUCT INFORMATION CENTER 1-800-522-6752		VOLTAGE RATING: 300 V MAX		DIMENSIONS: mm(INCHES)		TOLERANCES UNLESS OTHERWISE SPECIFIED:		CHK RE HERSEY 26OCT99		NAME	
FOR APPLICATION		TOOLING ASSISTANCE CENTER 1-800-722-1111		WIRE RANGE: 16 CIRC MIL AREA: 1.42mm ² [2800]		0 PLC ± -		1 PLC ± -		APVD C PRESNELL 26OCT99		TERMINAL, RING TONGUE, I.R., PIDG™, WIRE SIZE, 16-14AWG	
TOOLING INFORMATION		1-800-722-1111		14 2.15mm ² [4234]		2 PLC ± 0.20[.008]		3 PLC ± -		PRODUCT SPEC		SIZE CAGE CODE DRAWING NO	
FOR ORDER ENTRY		1-800-526-5142		STRANDED		4 PLC ± -		ANGLES ± -		APPLICATION SPEC		RESTRICTED TO	
		THIS DRAWING IS A CONTROLLED DOCUMENT FOR AMP INCORPORATED. IT IS SUBJECT TO CHANGE AND THE CONTROLLING ENGINEERING ORGANIZATION SHOULD BE CONTACTED FOR THE LATEST REVISION.		MATERIAL COPPER PER ASTM B-152 SLEEVE, BLUE NYLON		FINISH TIN PLATE PER ASTM B545		WEIGHT		NOT AVAILABLE		A3 00779 C=51864	
CUSTOMER DRAWING										SCALE		NTS SHEET 2 of 2 REV AB1	