

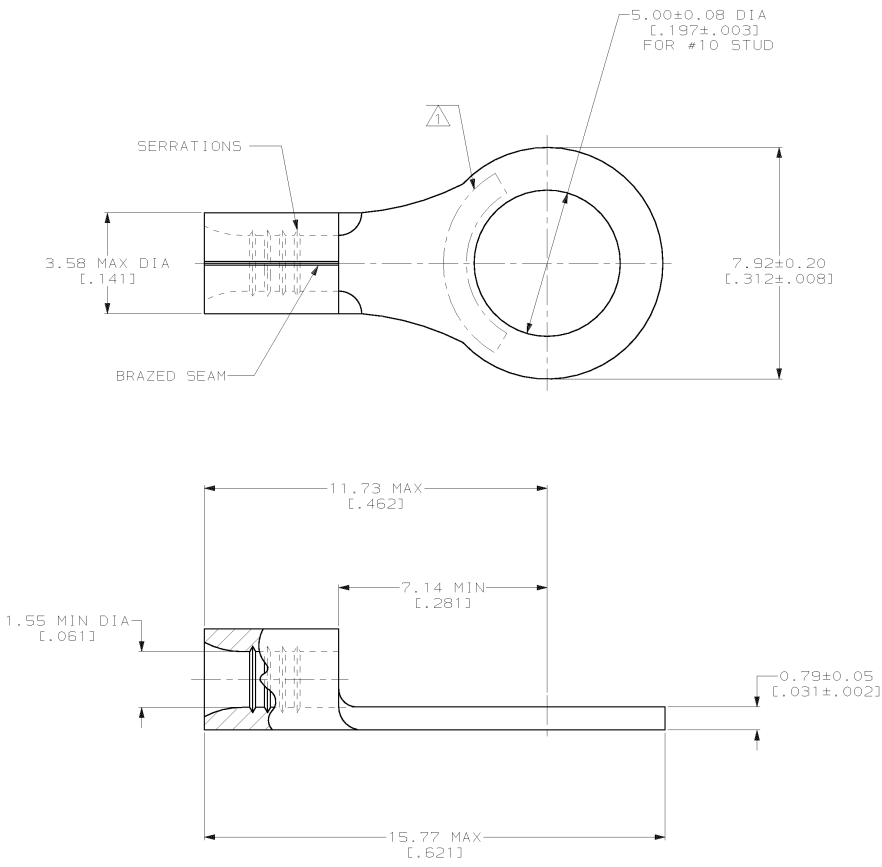
THIS DRAWING IS UNPUBLISHED. RELEASED FOR PUBLICATION .19
 © COPYRIGHT 19 BY AMP INCORPORATED. ALL INTERNATIONAL RIGHTS RESERVED.

LOC	DIST	P	F	ZONE	LTR	DESCRIPTION	DATE	APPR
6	14					REV PER 063A-0123-02		

METRIC
 DIMENSIONS LISTED IN mm [INCHES]

AMP WIRE RANGE	UL E13288 Listed
22-16 AWG SOLID OR STRANDED	22-16 AWG SOLID OR STRANDED
UL LR7189 Certified	MILITARY P/N AND CLASS
22-16 AWG SOLID OR STRANDED	M7928/7-4 CLASS 2 P/N 34112 & 2-34112-2 ONLY

- ⚠ STAMP AMP 22-18* APPROX AS SHOWN
22-16 TERMINALS ARE STAMPED 22-18 IN ACCORDANCE WITH MILITARY SPECIFICATION MIL-T-7928; COMMERCIAL WIRE RANGE IS 22-16
- ⚠ GOLD PLATE, .000100 MIN THK PER ASTM B-488 OVER NICKEL PLATE .000050 MIN THK PER SAE-AMS-QQ-N-290.
- ⚠ 0.00254 [.000100] MIN TIN PER ASTM B-545.
- ⚠ CLEANED, UNPLATED



FINISH	QUANTITY	PACKAGE TYPE	PART NO
⚠	-	LOOSE PIECE	34112-3
⚠	-	LOOSE PIECE	34112-2
⚠	100	LOOSE PIECE, BOX	8-34112-1
⚠	5000	ON TAPE	2-34112-2
⚠	---	LOOSE PIECE	34112

AMP INCORPORATED CUSTOMER SERVICE SYSTEMS		MAX RECOMMENDED OPERATING TEMPERATURE: 170°C MAX	DO NOT SCALE PRINT. UNLESS SPECIFIED DIMENSIONS IN mm (INCHES) TOLERANCES ON: 2 PLC DEC # - 3 PLC DEC # - ANGLES # -	DR 3-10-93 TA BRINKMAN CHK 3-10-93 DA PATTERSON APPD 3-10-93 DE MILLER APPD 3-10-93 JL MECKLEY	AMP AMP Incorporated Harrisburg, PA 17105-3608	
FOR ADDITIONAL PRODUCT INFORMATION OR COPIES OF DRAWINGS AND TECHNICAL DOCUMENTS	PRODUCT INFORMATION CENTER 1-800-522-6752	VOLTAGE RATING: NOT APPLICABLE	MATERIAL COPPER PER ASTM B-152 ANNEALED	NAME	TERMINAL, RING TONGUE, SOLISTRAND™	
FOR APPLICATION TOOLING INFORMATION	TOOLING ASSISTANCE CENTER 1-800-722-1111	WIRE CROSS SECTIONAL AREA RANGE: 0.26-1.65mm² [509-3,260] CIR MILS SOLID OR STRANDED	FINISH SEE NOTES	APPLICATION SPEC	SIZE C	CAGE CODE 00779
FOR ORDER ENTRY	1-800-526-5142	THIS DRAWING IS A CONTROLLED DOCUMENT FOR AMP INCORPORATED. IT IS SUBJECT TO CHANGE AND THE CONTROLLING ENGINEERING ORGANIZATION SHOULD BE CONTACTED FOR THE LATEST REVISION.		WEIGHT	SCALE 10:1	DRAWING NO C-34112
					SHEET	1 OF 1

AMP 1471-0 REV 3-92
 10 SEP 1993 07:51:34 AMP26463 <U5128A>DEPT1123>DWG1123>U.SOLISTRAND>U.INLINE

CUSTOMER DRAWING