

4

3

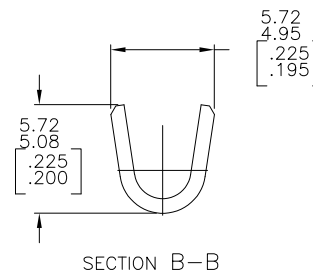
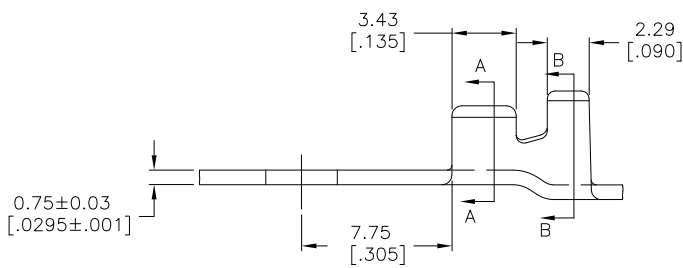
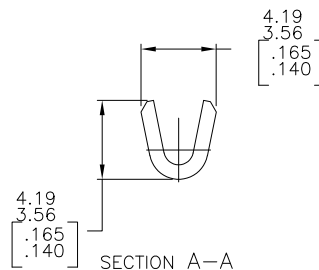
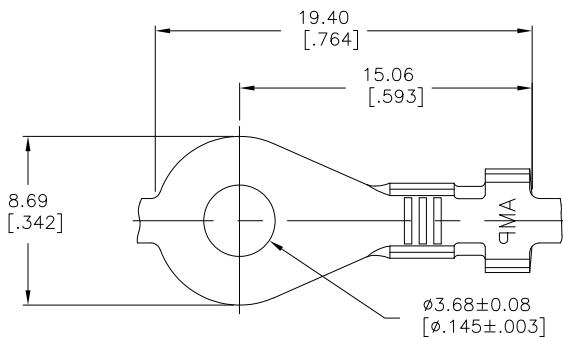
2

1

THIS DRAWING IS UNPUBLISHED. RELEASED FOR PUBLICATION  
 © COPYRIGHT - BY TYCO ELECTRONICS CORPORATION. ALL INTERNATIONAL RIGHTS RESERVED.

LOC	DIST	REVISIONS			
P	LTR	DESCRIPTION	DATE	DWN	APVD
AF	50				
		C2	REVISED PER ECR-10-009713	11MAY10	HMR PD

1 CONTINUOUS STRIP ON REELS



M3.5 #6	0.5-0.4mm <sup>2</sup> [20-16]	2.54-3.56 [.100-.140]	42933-2
STUD SIZE	WIRE RANGE AWG	INSULATION RANGE	PART NO

THIS DRAWING IS A CONTROLLED DOCUMENT.		DWN RAGHAVENDRA 05MAR09	Tyco Electronics Corporation Harrisburg, PA 17105-3608	
DIMENSIONS: mm [INCHES]		CHK JEFF RUTH 05MAR09	Tyco Electronics	
TOLERANCES UNLESS OTHERWISE SPECIFIED:		APVD DON DECKER 05MAR09	RING	
0 PLC ± -	1 PLC ± -	PRODUCT SPEC	SIZE CAGE CODE DRAWING NO	
2 PLC ± 0.25[.010]	3 PLC ± -	APPLICATION SPEC	A3 00779 C-42933	RESTRICTED TO
4 PLC ± -	ANGLES ± 1° 0'	WEIGHT -	-	
MATERIAL BRASS	FINISH TIN	CUSTOMER DRAWING		SCALE 5:1 SHEET 1 of 1 REV C2