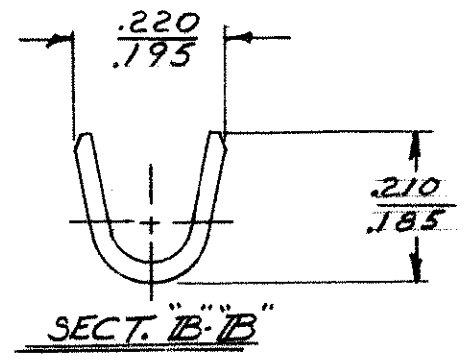
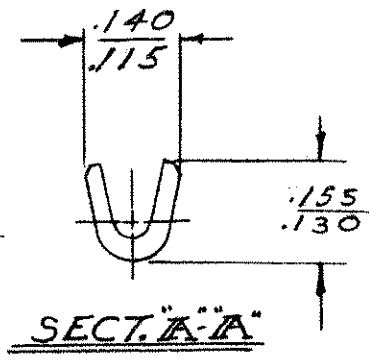
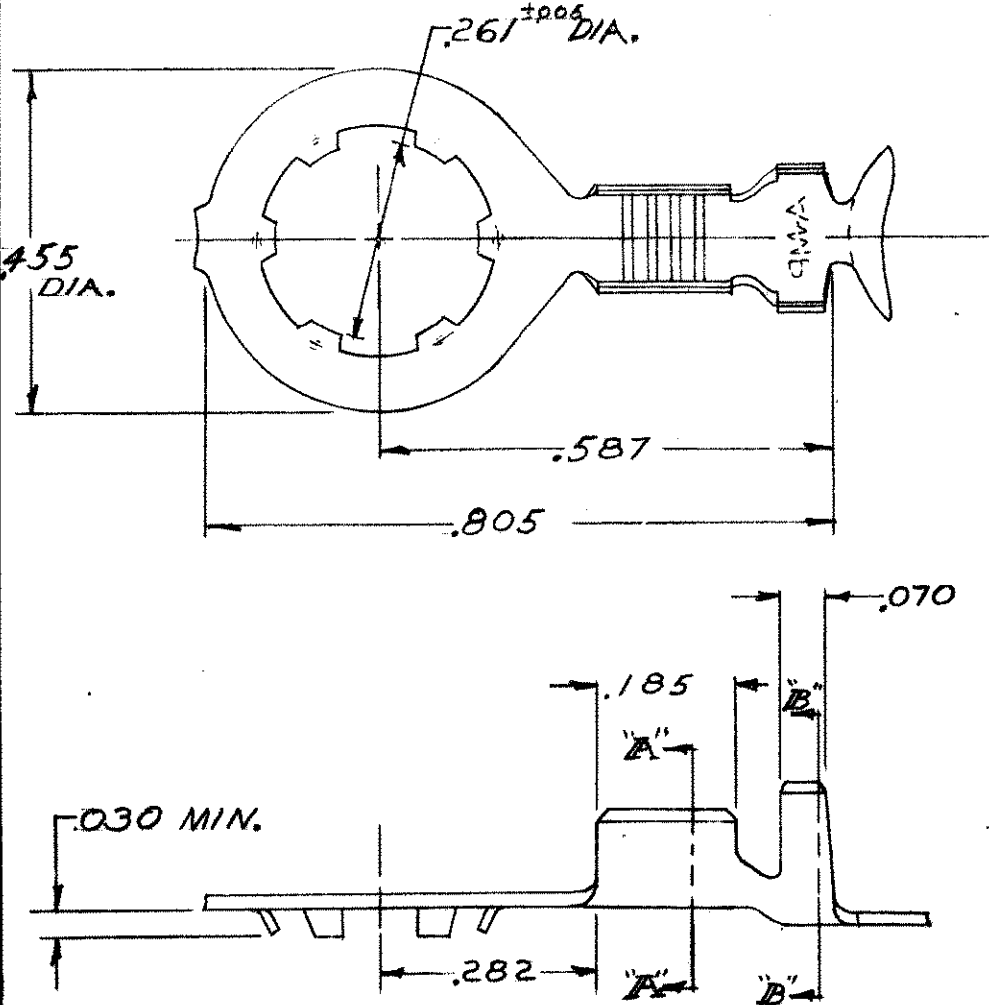


NUMBER
61283

S



CONTINUOUS STRIP ON REELS

TERMINAL NUMBER	MATERIAL	FINISH
61283-1	.025 - BRASS	TIN
61283-2	.025 - STEEL	TIN

⚠ PRELIMINARY - NOT FOR PRODUCTION.

DIMENSIONS IN INCHES. DO NOT SCALE PRINT.

⚠ Unpublished copy not to be reproduced nor published without written permission of AMP Incorporated

G	REV PER 063A-0529-02	MP	DFD	9-3-2002
F	CHG-2 AF-3699		7/5/68	5-13-88
E	ADDED -2 PER TTI	84/1	33	10/84
D	REYIND SERRATIONS	V-0154	47	4/5/71
C	REVISED	A 1297	47	1/1/68
B	REVISED	A 47	47	1/1/68
A	REVISED (RELEASED)	A 1217	47	1/1/68

©1968 BY AMP INCORPORATED, ALL RIGHTS RESERVED. AMP PRODUCTS COVERED BY PATENTS AND/OR PATENTS PENDING.

CUSTOMER COPY REFERENCE ONLY

MATERIAL AND FINISH
SEE TABLE



AMP INCORPORATED
HARRISBURG, PENNA.

WIRE RANGE INSULATION
22-16 100-.140

CLASS ———
TYPE ———

LTR	REVISION RECORD	ECN	DR	CHK	DATE
-----	-----------------	-----	----	-----	------

TOLERANCE EXCEPT AS NOTED ±.015 ±1°0' SCALE ——— LOC AF NO 61283 REV G

DR N. E. NEFF
CHK [Signature]

NAME RING