

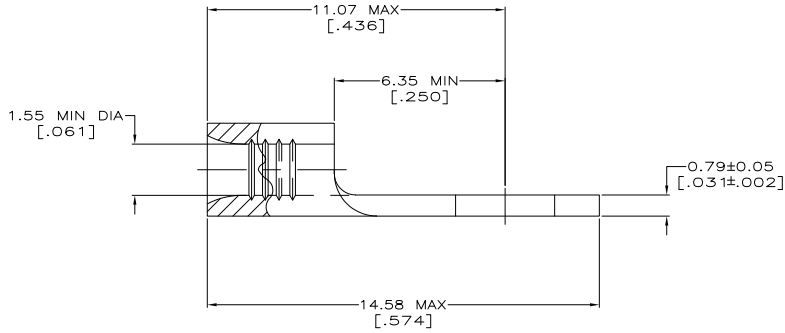
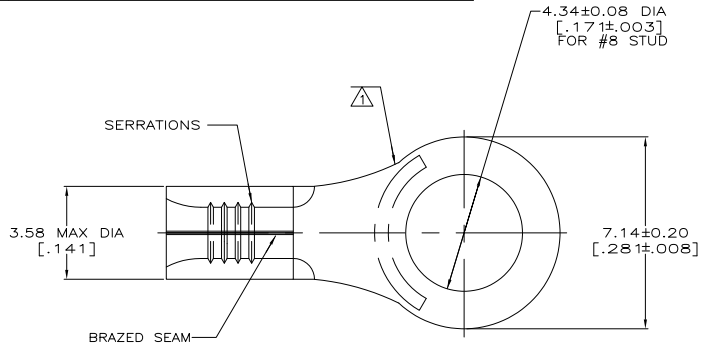
THE DRAWING IS UNPUBLISHED. RELEASED FOR PUBLICATION. ALL RIGHTS RESERVED.

REV	DATE	DESCRIPTION	BY	APP
1	11MAR11	REVISED PER ECO-11-004587	RK	HMR



AMP WIRE RANGE	E13288 Listed
22-16 AWG SOLID OR STRANDED	22-16 AWG SOLID OR STRANDED
LR7189 Certified	MILITARY P/N AND CLASS
22-16 AWG SOLID OR STRANDED	NOT APPLICABLE

- △ STAMP AMP 22-18* APPROX AS SHOWN
22-16 TERMINALS ARE STAMPED 22-18 IN
ACCORDANCE WITH MILITARY SPEC MIL-7928
COMMERCIAL WIRE RANGE IS 22-16
- △ TIN PL 0.00254[.000100] MIN THK
PER MIL-T-10727
- △ GOLD PL 0.00127[.000050] MIN THK
PER MIL-G-45204 OVER NICKEL PL
0.00076[.000030] MIN THK PER QQ-N-290
- △ TIN LEAD PLATE 0.01016-0.02032
[.000400-.000080] THK PER MIL-P-81728.
- △ PRE-PRODUCTION - FASR REQ.



AMP INCORPORATED CUSTOMER SERVICE SYSTEMS		MAX RECOMMENDED OPERATING TEMPERATURE: 170° C MAX
FOR ADDITIONAL PRODUCT INFORMATION OR COPIES OF DRAWINGS AND TECHNICAL DOCUMENTS	PRODUCT INFORMATION CENTER 1-800-522-6752	VOLTAGE RATING: NOT APPLICABLE
FOR APPLICATION TOOLING INFORMATION	TOOLING ASSISTANCE CENTER 1-800-722-1111	WIRE CROSS SECTIONAL AREA RANGE: 0.26-1.65mm ² [509-3,260] CIR MILS SOLID OR STRANDED
FOR ORDER ENTRY	1-800-526-5142	THIS DRAWING IS A CONTROLLED DOCUMENT FOR AMP INCORPORATED. IT IS SUBJECT TO CHANGE AND THE CONTROLLING ENGINEERING ORGANIZATION SHOULD BE CONTACTED FOR THE LATEST REVISION.

FINISH	QUANTITY	PACKAGING TYPE	PART NO
△ -	-	LOOSE PIECE	△ 34108-2
△ 100	100	LOOSE PIECE, BOX SPECIAL (NO WINDOW)	8-34108-5
△ 100	100	LOOSE PIECE, BOX	8-34108-1
△ 5000	5000	ON TAPE	2-34108-2
△ 1000	1000	LOOSE PIECE	1-34108-1
△ -	-	LOOSE PIECE	34108

THIS DRAWING IS A CONTROLLED DOCUMENT.		BY TA BRINKMAN 3-10-93	DATE 3-10-93	TE TE Connectivity
DIMENSIONS: MM(INCHES)		CHK DA PATTERSON 3-10-93	DATE 3-10-93	
TO DIMENSIONS UNLESS OTHERWISE SPECIFIED:		APP DE MILLER 3-10-93	DATE 3-10-93	TERMINE, RING TONGUE, SOLISTRAND
0 P/C	---	PRODUCT SPEC	---	SIZE
1 P/C	---	APPLICATION SPEC	---	CAGE CODE
2 P/C	---	---	---	DRAWING NO
3 P/C	---	---	---	RESTRICTED TO
4 P/C	---	---	---	A2 00779
ANGLES	---	WEIGHT	---	SCALE 10:1
MATERIAL COPPER PER ASTM B-152 ANNEALED	SEE TABLE	CUSTOMER DRAWING	---	SHEET 1 of 1

1471-9 (3/11)

34108