

4

3

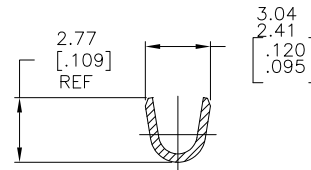
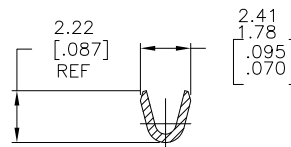
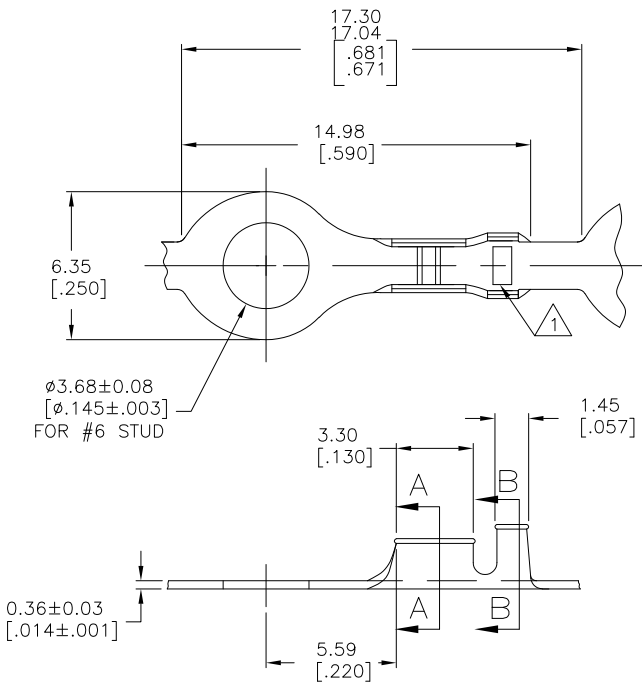
2

1

THIS DRAWING IS UNPUBLISHED. RELEASED FOR PUBLICATION  
 © COPYRIGHT - BY TYCO ELECTRONICS CORPORATION. ALL RIGHTS RESERVED.

LOC	DIST	REVISIONS			
P	LTR	DESCRIPTION	DATE	DWN	APVD
B2		REVISED PER ECR-09-024991	17NOV09	HMR	PD

△ STAMPING: AMP FOR 60553-1  
 AMP\* FOR 60553-3



24-20	1.22[.048]-1.98[.078]	PHOS BRONZE	60553-3
WIRE SIZE AWG	INSULATION RANGE	BRASS	60553-1
		MATERIAL	TERMINAL NUMBER

THIS DRAWING IS A CONTROLLED DOCUMENT.		DWN	07MAY08	Tyco Electronics		Tyco Electronics Corporation	
DIMENSIONS: mm [INCHES]		CHK	07MAY08	RAGHAVENDRA		Harrisburg, PA 17105-3608	
TOLERANCES UNLESS OTHERWISE SPECIFIED:		APVD	07MAY08	JEFF RUTH		NAME	
0 PLC ± -		PRODUCT SPEC		-		RING	
1 PLC ± -		APPLICATION SPEC		-		RESTRICTED TO	
2 PLC ± -		WEIGHT		-		-	
3 PLC ± 0.38 [.015]		SIZE		A3		CAGE CODE DRAWING NO	
4 PLC ± -		CUSTOMER DRAWING		00779		©=60553	
ANGLES ± 1° 0'		SCALE		6:1		SHEET 1 OF 1	
MATERIAL SEE TABLE	FINISH TIN	REV		B2			