

4

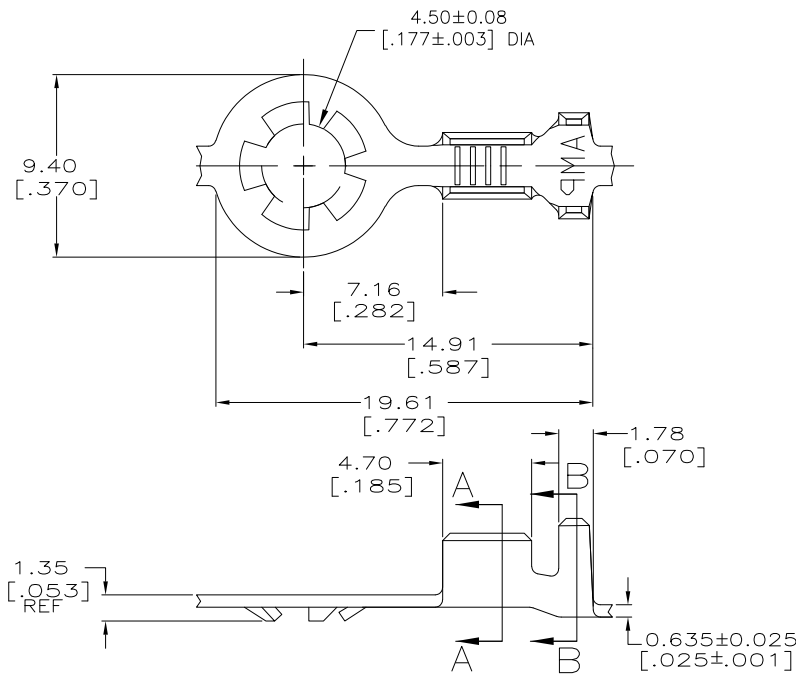
3

2

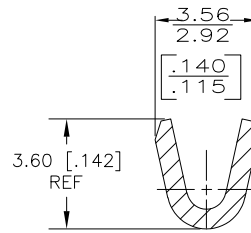
1

THIS DRAWING IS UNPUBLISHED. RELEASED FOR PUBLICATION  
 © COPYRIGHT - BY TYCO ELECTRONICS CORPORATION. ALL RIGHTS RESERVED.

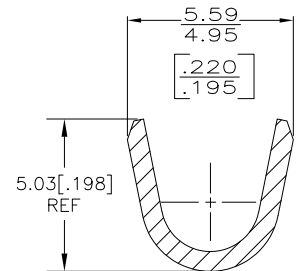
LOC		DIST		REVISIONS			
P	LTR	DESCRIPTION		DATE	DWN	APVD	
A1		REDRAWN PER ECR 08-001774		21JAN08	JR	DD	



- 1 CONTINUOUS STRIP ON REELS
- 2 0.00203 [.000080] MIN TIN PL  
ASTM B-545
- 3 WIRE SIZE IS 0.3-1.3MM2 [22-16] AWG
- 4 INSULATION RANGE IS 2.54-3.56  
[.100-.140] DIA



SECTION A-A  
SCALE 8:1



SECTION B-B  
SCALE 8:1

61556-1  
PART NO.

THIS DRAWING IS A CONTROLLED DOCUMENT.		DWN P FORTNEY 1-18-69	Tyco Electronics Tyco Electronics Corporation Harrisburg, PA 17105-3608	
DIMENSIONS: MM [ INCHES ]		CHK RP FRANTZ 1-20-69	NAME RING	
TOLERANCES UNLESS OTHERWISE SPECIFIED:		APVD RP FRANTZ 1-20-69	PRODUCT SPEC -	
0 PLC ± -		APPLICATION SPEC -		
1 PLC ± -		SIZE A3		
2 PLC ± -		CAGE CODE 00779		
3 PLC ± 0.38 [.015]		DRAWING NO C-61556		
4 PLC ± -		RESTRICTED TO -		
ANGLES ± -		WEIGHT -		
MATERIAL TEMP 3 STEEL		FINISH TIN 2		
		CUSTOMER DRAWING		SCALE 5:1 SHEET 1 OF 1 REV A1