

4

3

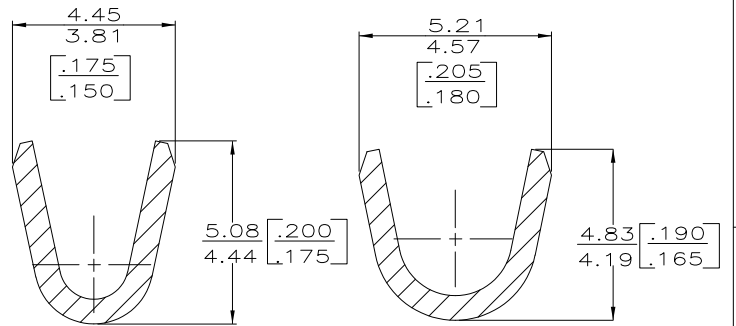
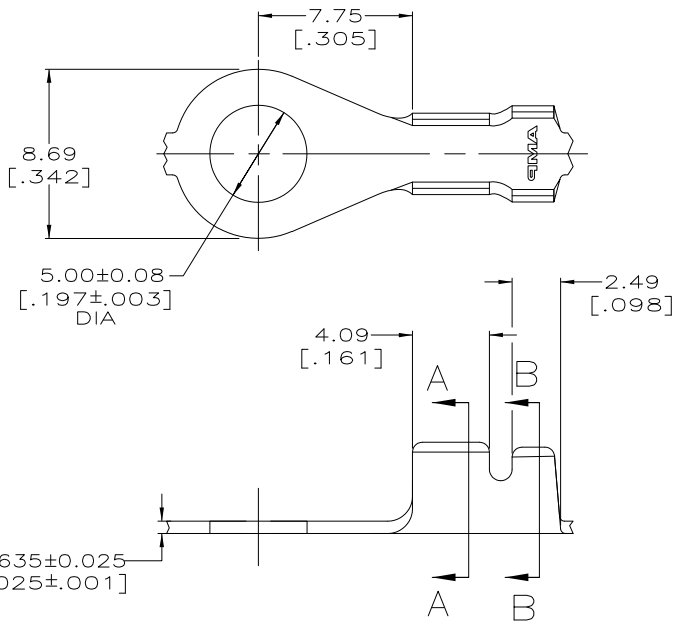
2

1

THIS DRAWING IS UNPUBLISHED. RELEASED FOR PUBLICATION  
 © COPYRIGHT - BY TYCO ELECTRONICS CORPORATION. ALL INTERNATIONAL RIGHTS RESERVED.

LOC	DIST	REVISIONS				
P	LTR	DESCRIPTION	DATE	DWN	APVD	
AF	50	W	REVISED PER ECR-08-008189	24NOV08	HMR DD	

1 CONTINUOUS STRIP ON REEL.



2.54-3.56 DIA [.100-.140]	[18-14] AWG	60433-2
INSULATION RANGE	WIRE RANGE	PART NO

THIS DRAWING IS A CONTROLLED DOCUMENT.		DWN 07/APR/95 PHILLIP M. FORTNEY		Tyco Electronics Corporation Harrisburg, PA 17105-3608	
DIMENSIONS: mm [INCHES]		TOLERANCES UNLESS OTHERWISE SPECIFIED:		NAME	
0 PLC ± -		1 PLC ± -		JEFF R RUTH	
2 PLC ± 0.25 [010]		3 PLC ± -		GARY YETTER	
4 PLC ± -		ANGLES ± -		PRODUCT SPEC	
MATERIAL		FINISH		APPLICATION SPEC	
082 BRASS		TIN PLATING		RING	
WEIGHT		SIZE		CAGE CODE	
-		A3		00779	
CUSTOMER DRAWING		DRAWING NO		RESTRICTED TO	
-		C-60433		-	
SCALE		SHEET		REV	
5:1		1 OF 1		W	