

4

3

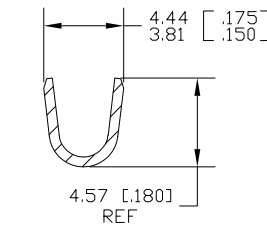
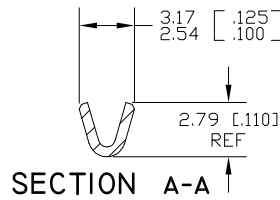
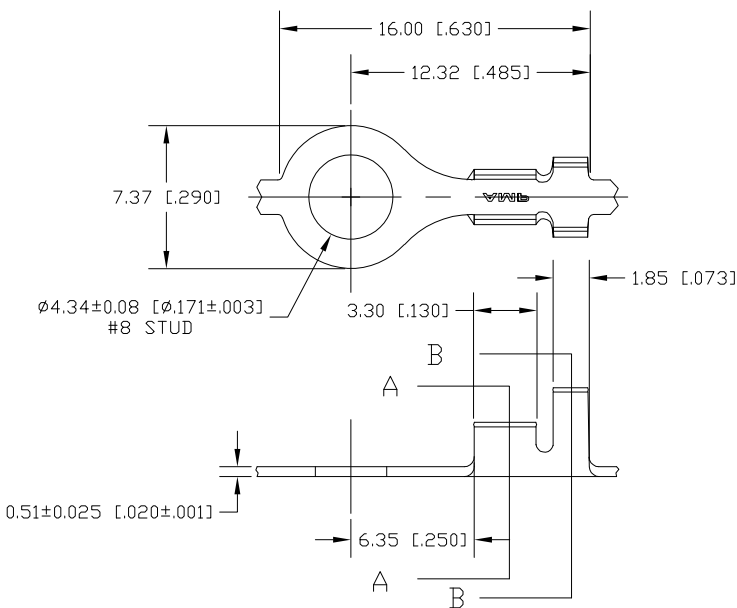
2

1

THIS DRAWING IS UNPUBLISHED. RELEASED FOR PUBLICATION .19
 © COPYRIGHT 19 BY AMP INCORPORATED. ALL RIGHTS RESERVED.

LOC		DIST		REVISIONS				
P	LTR	DESCRIPTION			DATE	DWN	APVD	
	H2	REV UPDATE PER ECR 05-015567			16NOV05	JR	DD	

- 1 CONTINUOUS STRIP ON REELS.
- 2 WIRE SIZE IS [#24-#20] AWG.
- 3 INSULATION RANGE IS 2.03-2.54 [.080-.100] DIA.



41581

PART NO.

THIS DRAWING IS A CONTROLLED DOCUMENT.		DWN J RUTH 04AUG00	AMP AMP Incorporated Harrisburg, PA 17105-3608	
DIMENSIONS: MM [INCHES]		CHK MS FEHER 04AUG00		
TOLERANCES UNLESS OTHERWISE SPECIFIED:		APVD D DECKER 04AUG00	NAME RING TONGUE	
0 PLC ± -		PRODUCT SPEC	SIZE CAGE CODE DRAWING NO	
1 PLC ± -		APPLICATION SPEC	RESTRICTED TO	
2 PLC ± 0.38[.015]		WEIGHT	A3 00779 C-41581	
3 PLC ± -		CUSTOMER DRAWING	SCALE 5:1	SHEET 1 OF 1
4 PLC ± -				REV H2
ANGLES ± -				
MATERIAL 0B2 BRASS		FINISH TIN PLATED		