

4

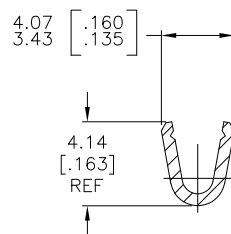
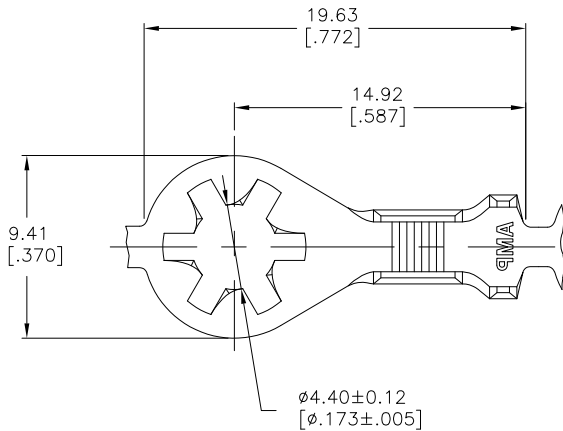
3

2

1

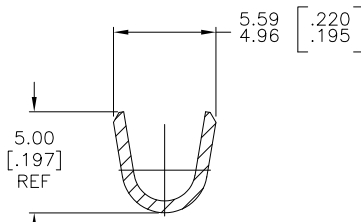
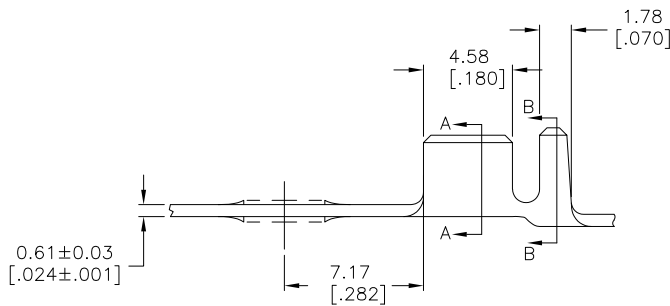
THIS DRAWING IS UNPUBLISHED. RELEASED FOR PUBLICATION  
 © COPYRIGHT - BY TYCO ELECTRONICS CORPORATION. ALL RIGHTS RESERVED.

LOC	DIST	REVISIONS				
P	LTR	DESCRIPTION	DATE	DWN	APVD	
AF	15					
	D1	ECR-07-027971 (REDRAWN IN AUTOCAD)	05DEC07	HMR	MF	



SECTION A-A

- 1 CONTINUOUS STRIP ON REELS
- 2 WIRE RANGE: 18 - 14 AWG
- 3 INSULATION RANGE:  
2.67 - 3.68 [.105 - .145] DIA.



SECTION B-B

640051-1  
PART NO

THIS DRAWING IS A CONTROLLED DOCUMENT.		DWN RAGHAVENDRA 26/JUN/2007	Tyco Electronics Tyco Electronics Corporation Harrisburg, PA 17105-3608																			
DIMENSIONS: mm [INCHES]		CHK MIKE FEHER 26/JUN/2007	NAME RING TONGUE, ANTI-ROTATIONAL M4, #8 STUD SIZE																			
TOLERANCES UNLESS OTHERWISE SPECIFIED:		APVD D DECKER 26/JUN/2007	RESTRICTED TO																			
<table border="1"> <tr><td>0</td><td>PLC</td><td>± -</td></tr> <tr><td>1</td><td>PLC</td><td>± -</td></tr> <tr><td>2</td><td>PLC</td><td>± -</td></tr> <tr><td>3</td><td>PLC</td><td>± 0.25 [.010]</td></tr> <tr><td>4</td><td>PLC</td><td>± -</td></tr> <tr><td colspan="2">ANGLES</td><td>± 1°</td></tr> </table>		0	PLC	± -	1	PLC	± -	2	PLC	± -	3	PLC	± 0.25 [.010]	4	PLC	± -	ANGLES		± 1°	PRODUCT SPEC	SIZE A3	CAGE CODE 00779
0	PLC	± -																				
1	PLC	± -																				
2	PLC	± -																				
3	PLC	± 0.25 [.010]																				
4	PLC	± -																				
ANGLES		± 1°																				
MATERIAL STAINLESS STEEL	FINISH NONE	APPLICATION SPEC	DRAWING NO 640051	SCALE 5:1																		
CUSTOMER DRAWING		WEIGHT	SHEET 1 of 1	REV D1																		