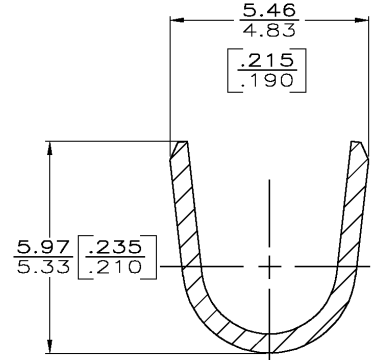
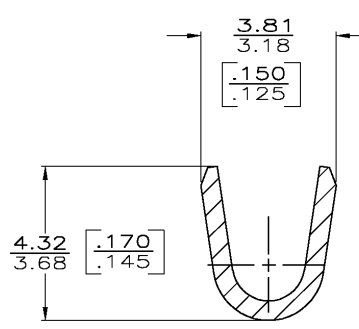
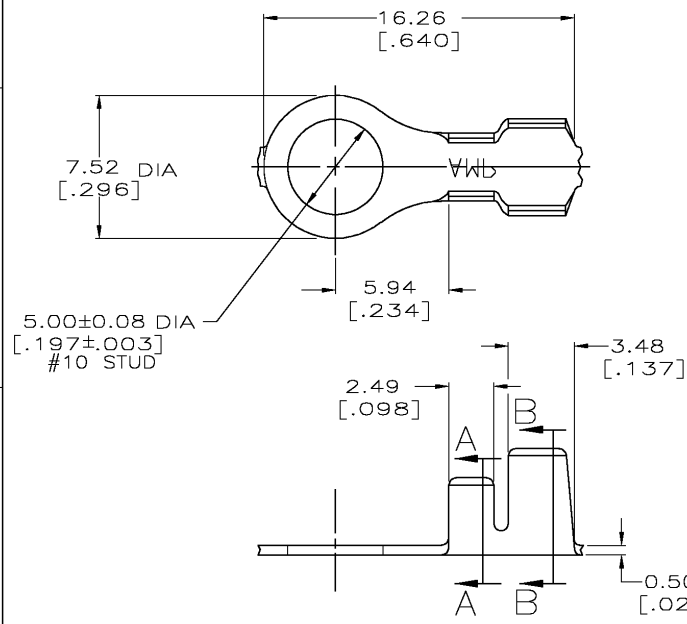


THIS DRAWING IS UNPUBLISHED. RELEASED FOR PUBLICATION
 © COPYRIGHT BY TYCO ELECTRONICS CORPORATION. ALL RIGHTS RESERVED.

| LOC | | DIST | | REVISIONS | | | |
|-----|-----|-------------|---------|--------------|---------|------|----|
| P | LTR | DESCRIPTION | | DATE | DWN | APVD | |
| AF | 50 | N | REV PER | OG3A-0109-03 | 02MAY03 | JR | DD |

- CONTINUOUS STRIP ON REEL.
- WIRE SIZE IS 0.8-2.0mm [18-14]AWG
- INSULATION RANGE IS 3.05-4.32 [.120-.170] DIA.



41560
 PART NO

| | | | | | | |
|--|-------------|-------------------|---------|-------------------------|--|--------------------|
| THIS DRAWING IS A CONTROLLED DOCUMENT. | | DWN P FORTNEY | 7/22/91 | Tyco Electronics | Tyco Electronics Corporation Harrisburg, PA 17105 | |
| DIMENSIONS: mm [INCHES] | | CHK MS FEHER | 8/9/91 | | RING TONGUE | |
| TOLERANCES UNLESS OTHERWISE SPECIFIED: | | APVD R WEAVILL | 8/8/91 | NAME | | |
| 0 PLC ±- | | PRODUCT SPEC | | - | | |
| 1 PLC ±- | | APPLICATION SPEC | | - | | |
| 2 PLC ±0.25 [.010] | | WEIGHT | | - | | |
| 3 PLC ±- | | CUSTOMER DRAWING | | - | | |
| 4 PLC ±- | | SCALE | | 5:1 | | |
| 4 PLG ANGLES ±- | | SHEET | | 1 OF 1 | | |
| MATERIAL 082 BRASS | FINISH - | SIZE A3 | | CAGE CODE 00779 | DRAWING NO C=41560 | RESTRICTED TO - |

AMP 1470-19 REV 31MAR2000

H:\dntecmod\