

4

3

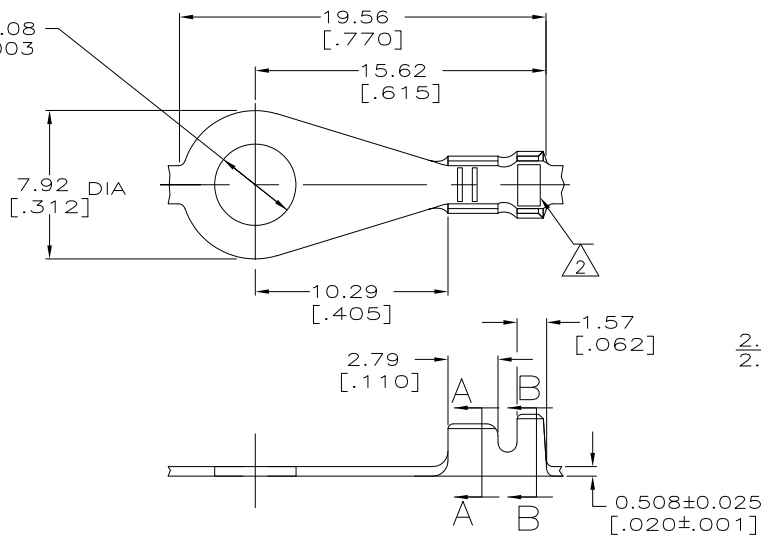
2

1

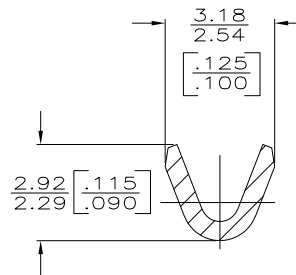
THIS DRAWING IS UNPUBLISHED. RELEASED FOR PUBLICATION
 © COPYRIGHT BY TYCO ELECTRONICS CORPORATION. ALL INTERNATIONAL RIGHTS RESERVED.

LOC	DIST	REVISIONS				
P	LTR	DESCRIPTION	DATE	DWN	APVD	
AF	50	H	REVISED PER ECR-08-007819	19NOV08	HMR DD	

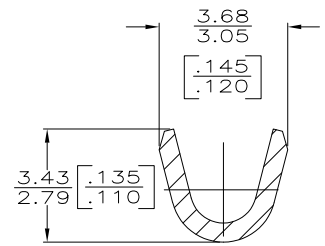
4.34±0.08
.171±.003
DIA



1 CONTINUOUS STRIP ON REEL.
 2 STAMPING: AMP FOR 42508-2
 AMP* FOR 42508-3



SECTION A-A
SCALE 10:1



SECTION B-B
SCALE 10:1

METRIC

H02 PHOS BRZ	1.22-1.98 DIA [.048-.078]	0.2 - 0.6mm ² [24-20] AWG	42508-3
#2 HD BRASS			42508-2
MATERIAL	INSULATION RANGE	WIRE RANGE	PART NO
THIS DRAWING IS A CONTROLLED DOCUMENT.			
DIMENSIONS: mm [INCHES]	TOLERANCES UNLESS OTHERWISE SPECIFIED:		
0 PLC ± -	1 PLC ± -		
1 PLC ± -	2 PLC ± 0.25 [010]		
2 PLC ± -	3 PLC ± -		
3 PLC ± -	4 PLC ± -		
4 PLC ± -	FINISH		
MATERIAL	FINISH	TIN PLATING	
SEE TABLE			
DWN P FORTNEY 5/13/91	Tyco Electronics Corporation		
CHK JR RUTH 5/13/91	Harrisburg, PA 17105-3608		
APVD G YETTER 5/13/91	NAME		
PRODUCT SPEC	RING		
APPLICATION SPEC	SIZE CAGE CODE DRAWING NO		
WEIGHT	A3 00779 C-42508		
CUSTOMER DRAWING	SCALE 5:1	SHEET 1 OF 1	REV H

0	2.29 [.090]	4.32 [.170]	F	2.03 [.080]	1.40 [.055]	0.6mm ² [20]
					1.35 [.053]	0.3mm ² [22]
					1.27 [.050]	0.2mm ² [24]
					±0.051 [±.002]	WIRE
TYPE	WIDTH	STRIP LENGTH ±0.38 [±.015]	TYPE	WIDTH	HEIGHT	
INSUL BARREL CRIMP			WIRE BARREL CRIMP			

1470-19 (1/08)