

4

3

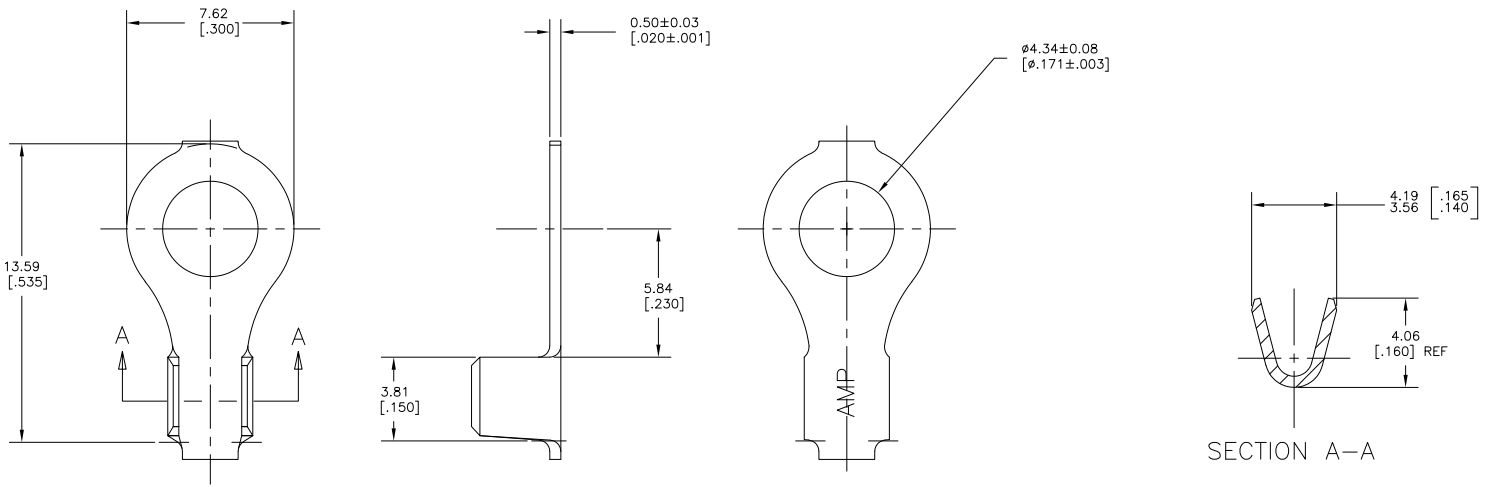
2

1

THIS DRAWING IS UNPUBLISHED. RELEASED FOR PUBLICATION
 © COPYRIGHT 1983 BY TYCO ELECTRONICS CORPORATION. ALL RIGHTS RESERVED.

LOC	DIST	REVISIONS			
P	LTR	DESCRIPTION	DATE	BY	APP'D
AF	50	J1	REDRAWN PER ECR-07-029463	6DEC07	MF DD

- 1 CONTINUOUS STRIP ON REELS.
- 2 WIRE RANGE: 0.8-2.0mm² [#18-#14] AWG.



40594

40594
PART NUMBER

THIS DRAWING IS A CONTROLLED DOCUMENT.		DWG: 230C12007 MICHAEL S. FEHRER CHK: 230C12007 DONALD F. DECKER APP: 230C12007 DONALD F. DECKER PRODUCT SPEC: --- APPLICATION SPEC: --- WEIGHT: ---	Tyco Electronics Corporation Harrisburg, PA 17105-3608 NAME: --- TERMINAL RING NUMBER 8 STUD SIZE M4 METRIC SIZE: A2 CAGE CODE: 00779 DRAWING NO: 40594 RESTRICTED TO: ---
DIMENSIONS: (MM) (INCHES) 0 PLC: --- 1 PLC: --- 2 PLC: --- 3 PLC: --- 4 PLC: --- ANGLES: ---	DIMENSIONS: OTHER THAN DIMENSIONS: 0 PLC: --- 1 PLC: --- 2 PLC: --- 3 PLC: --- 4 PLC: --- ANGLES: ---	FINISH: TIN PLATE MATERIAL: 082 BRASS	SCALE: 8:1 SHEET: 1 of 1 REV: J1 CUSTOMER DRAWING

AMP 1471-9 REV 31MM2000