

4

3

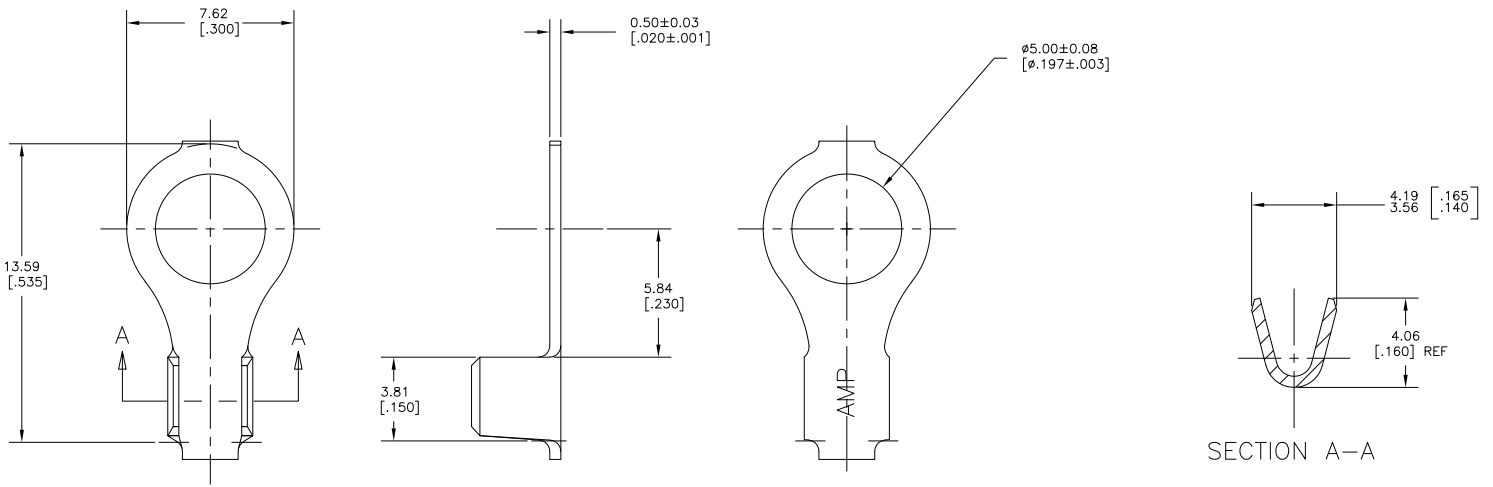
2

1

THIS DRAWING IS UNPUBLISHED. RELEASED FOR PUBLICATION
 © COPYRIGHT BY TYCO ELECTRONICS CORPORATION. ALL RIGHTS RESERVED.

LOC		DIBT		REVISIONS			
P	LTR	DESCRIPTION	DATE	BY	APP'D		
AF	50						
	J1	REDRAWN PER ECR-070-029463	6DEC07	MF	DD		

- 1 CONTINUOUS STRIP ON REELS.
- 2 WIRE RANGE: 0.8-2.0mm² [#18-#14] AWG.



40595

B

A

40595
PART NUMBER

THIS DRAWING IS A CONTROLLED DOCUMENT.		DWG: 230C12007 MICHAEL S. FEHRER CHK: 230C12007 DONALD F. DECKER APP: 230C12007 DONALD F. DECKER PRODUCT SPEC	Tyco Electronics Corporation Harrisburg, PA 17105-3608
DIMENSIONS: (MM) (INCHES) 0 PLC ± .015 1 PLC ± .015 2 PLC ± .015 3 PLC ± .015 4 PLC ± .015 ANGLES ± .1°	REFERENCE DIMENSIONS: OTHERS AS SHOWN	NAME: DONALD F. DECKER APPLICATION SPEC: -- WEIGHT: --	SIZE: A2 CASE CODE: 00779 DRAWING NO: C=40595 RESTRICTED TO: --
MATERIAL: 082 BRASS	FINISH: TIN PLATE	CUSTOMER DRAWING	SCALE: 8:1 SHEET: 1 of 1 REV: J1

AMP 1471-9 REV 31MM2000