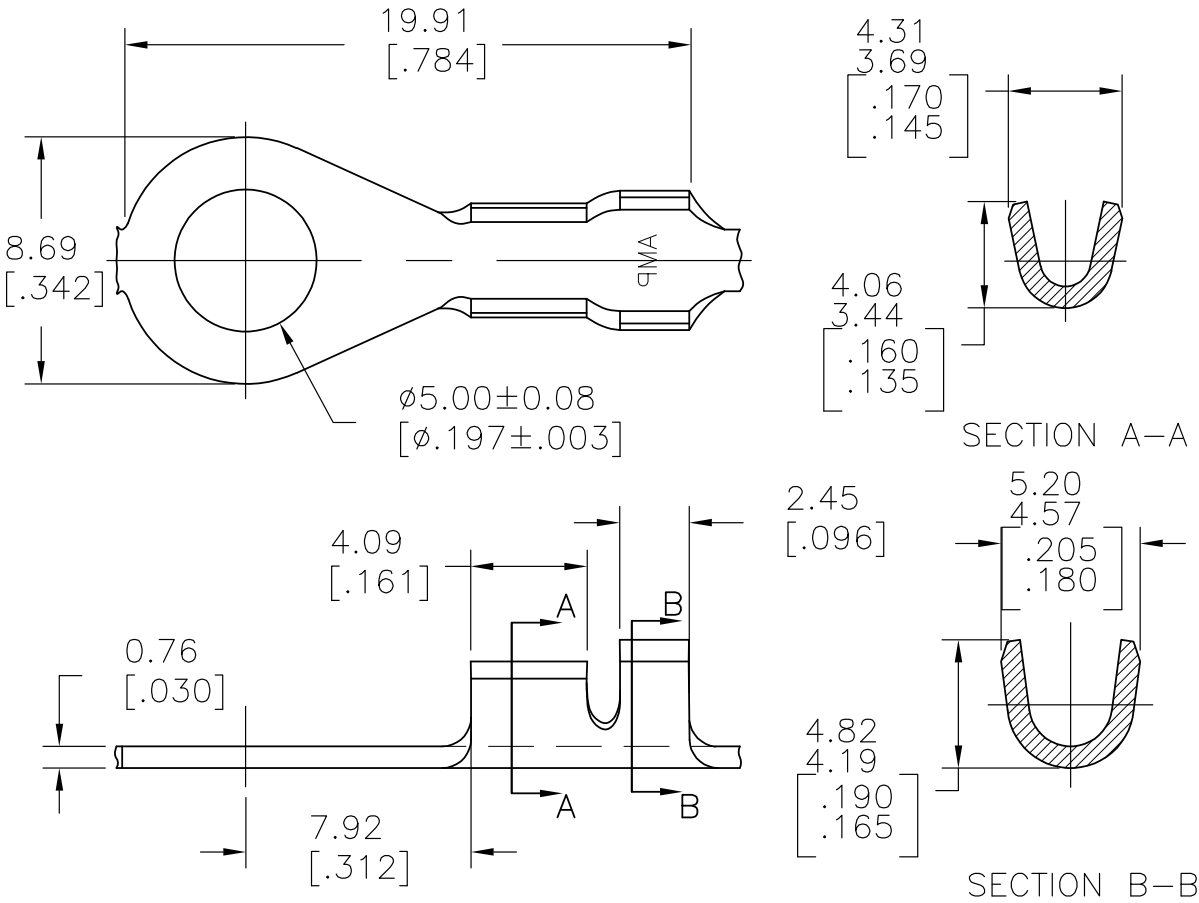


LOC	DIST	REVISIONS					
AF	—	P	LTR	DESCRIPTION	DATE	DWN	APVD
			G2	REVISED PER ECO-11-005027	11MAR11	RK	HMR



THIS DRAWING IS UNPUBLISHED. ALL RIGHTS RESERVED.

- 1 INSULATION RANGE: #100-140
- 2 WIRE SIZE: #20-16 AWG
- 3 STUD: #10

40955
PART NUMBER

DIMENSIONS: mm [INCHES]	DWN	22OCT10	MATERIAL	BRASS	FINISH	TIN	
	CHK	22OCT10	TE Connectivity				
TOLERANCES UNLESS OTHERWISE SPECIFIED: 0 PLC ± - 1 PLC ± - 2 PLC ± - 3 PLC ± .015 4 PLC ± - ANGLES ± 1°	APVD	22OCT10					NAME
	PRODUCT SPEC	—	SIZE	CAGE CODE	DRAWING NO	RESTRICTED TO	
	APPLICATION SPEC	—	A4	00779	C-40955	—	
	WEIGHT	—	CUSTOMER DRAWING				
		SCALE	4:1	SHEET	1 OF 1	REV	G2