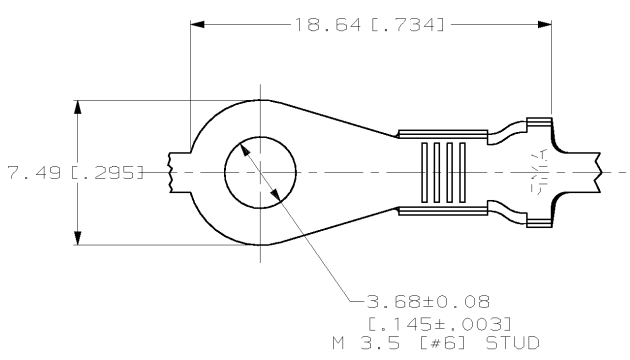


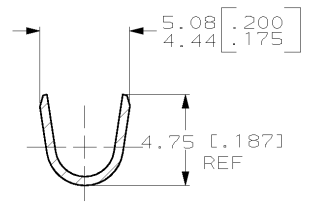
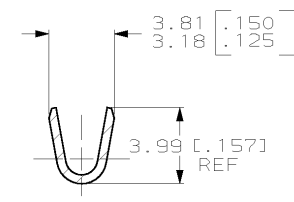
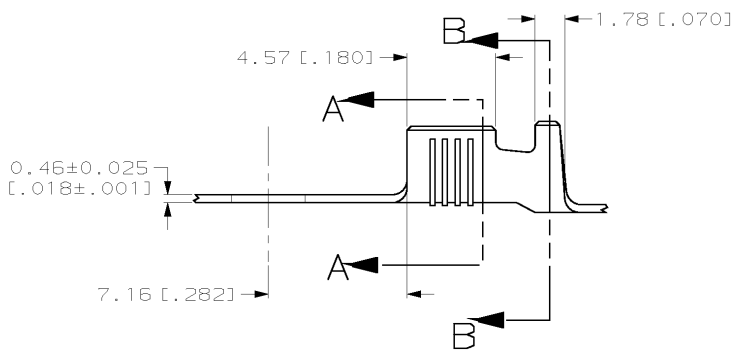
4 3 2 1

THIS DRAWING IS UNPUBLISHED. RELEASED FOR PUBLICATION .19  
 © COPYRIGHT 19 BY AMP INCORPORATED. ALL RIGHTS RESERVED.

LOC		DIST		REVISIONS			
P	LTR	DESCRIPTION	DATE	DWN	APVD		
AF	50	H	REDRAWN PER 0G1A-0144-99	29JUN99	JR	DD	



- 1 CONTINUOUS STRIP ON REELS.
- 2 WIRE SIZE IS [#18-#14] AWG
- 3 INSULATION RANGE IS 2.54-3.56 [.100-.140] DIA.
- 4 REELING WITH BBLs UP.



SECTION A-A

SECTION B-B

TIN	60770-2
-	60770-1
FINISH	PART NO.

THIS DRAWING IS A CONTROLLED DOCUMENT.		DWN	JR RUTH	29JUN99
DIMENSIONS:		CHK	MS FEHER	29JUN99
MM (INCHES)	TOLERANCES UNLESS OTHERWISE SPECIFIED:	APVD	D DECKER	29JUN99
0 PLC	±-	PRODUCT SPEC		
1 PLC	±-	APPLICATION SPEC		
2 PLC	±0.38 [0.015]	WEIGHT	-	
3 PLC	±-	CUSTOMER DRAWING		
4 PLC	±-	SCALE	5:1	
ANGLES	±-	SHEET	1 OF 1	
MATERIAL	081 BRASS	FINISH	SEE TABLE	REV
				H

<b>AMP</b>		AMP Incorporated	
		Harrisburg, PA 17105-3608	
RING			
SIZE	CAGE CODE	DRAWING NO.	RESTRICTED TO
A3	00779	60770	-