

4

3

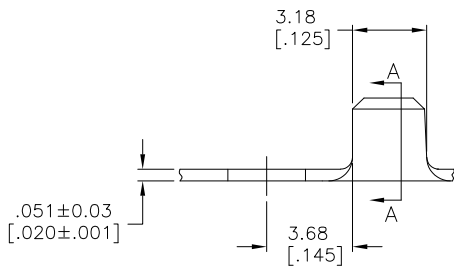
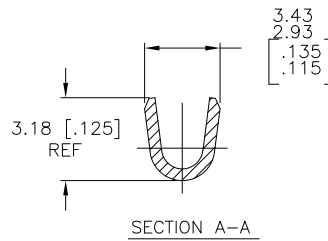
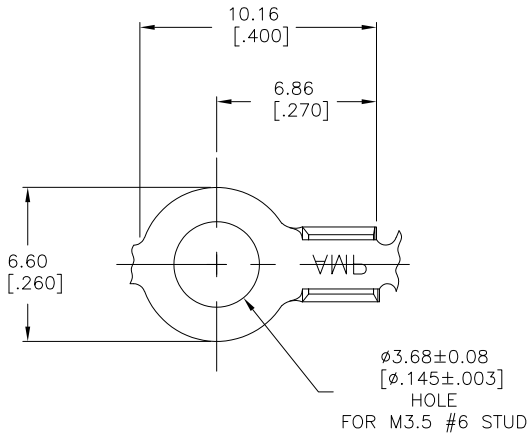
2

1

THIS DRAWING IS UNPUBLISHED. RELEASED FOR PUBLICATION
 © COPYRIGHT BY TYCO ELECTRONICS CORPORATION. ALL INTERNATIONAL RIGHTS RESERVED.

LOC	DIST	REVISIONS				
P	LTR	DESCRIPTION	DATE	DWN	APVD	
AF	50					
	D1	REVISED PER ECR-09-001244	03MAR09	HMR	JR	

1 CONTINUOUS STRIP ON REELS



T3 STEEL	0.5-1.4mm ² [#20-#16]	40811-1
BRASS	0.5-1.4mm ² [#20-#16]	40811
MATERIAL	WIRE RANGE	PART NO

THIS DRAWING IS A CONTROLLED DOCUMENT.		DWN RAGHAVENDRA 23FEB09		Tyco Electronics		Tyco Electronics Corporation	
DIMENSIONS: mm [INCHES]		CHK JEFF RUTH 23FEB09		Harrisburg, PA 17105-3608		RING	
TOLERANCES UNLESS OTHERWISE SPECIFIED:		APVD DON DECKER 23FEB09		NAME		RESTRICTED TO	
0 PLC ± -		PRODUCT SPEC		SIZE		CAGE CODE	
1 PLC ± -		APPLICATION SPEC		DRAWING NO		DRAWING NO	
2 PLC ± -		WEIGHT		A3		00779	
3 PLC ± 0.38 [.015]		CUSTOMER DRAWING		C=40811		SCALE	
4 PLC ± -		FINISH		TIN		6:1	
ANGLES ± -		MATERIAL		SEE TABLE		SHEET	
						1 OF 1	
						REV	
						D1	