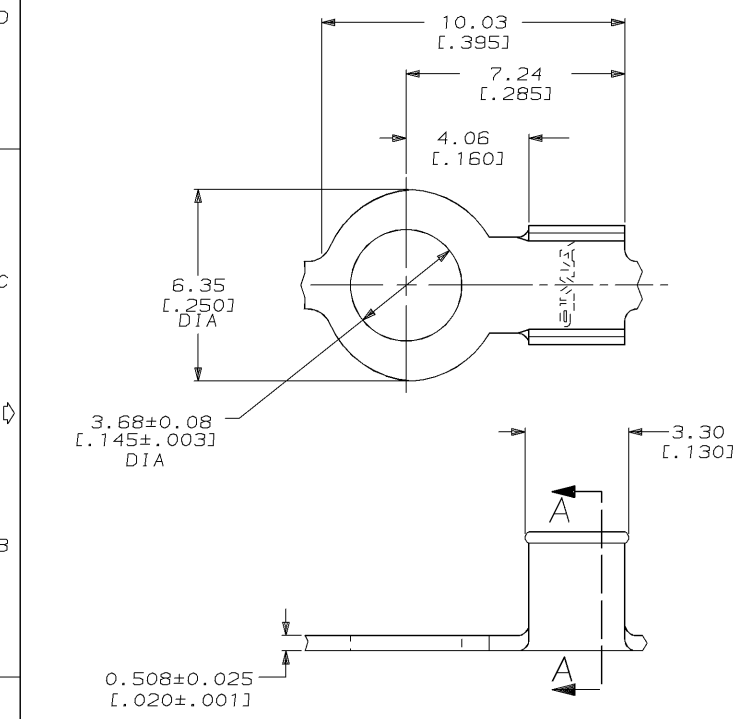
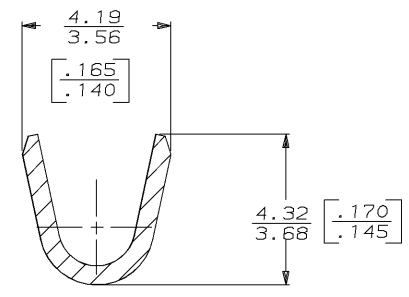


THIS DRAWING IS UNPUBLISHED. RELEASED FOR PUBLICATION, 19 .
 © COPYRIGHT 19 BY AMP INCORPORATED. ALL INTERNATIONAL RIGHTS RESERVED.

LOC	DIST	REVISIONS				
P	F	ZONE	LTR	DESCRIPTION	DATE	APPD
AF	50		K	REV AND REDRAWN PER 0710-0330-95	12/SEP/85	PF/GY



1 CONTINUOUS STRIP ON REEL.



SECTION A-A
SCALE 10:1

THIS DRAWING IS A CONTROLLED DOCUMENT FOR AMP INCORPORATED. IT IS SUBJECT TO CHANGE AND THE CONTROLLING ENGINEERING ORGANIZATION SHOULD BE CONTACTED FOR THE LATEST REVISION.

[20-14] AWG		40702	
WIRE RANGE		PART NO	
DO NOT SCALE PRINT. UNLESS SPECIFIED DIMENSIONS IN mm (INCHES) TOLERANCES ON: 2 PLC DEC ± 0.25 (.010) 3 PLC DEC ± - ANGLES ± -		AMP AMP Incorporated Harrisburg, PA 17105-3608	
DR 12/SEP/85 PHILLIP H. FORTNEY		NAME RING	
CHK 12/SEP/85 JEFF R RUTH		SIZE B	
APPD 12/SEP/85 GARY YETTER		CAGE CODE 00779	
APPD 12/SEP/85 MARK BARNABA		DRAWING NO C=40702	
MATERIAL 082 BRASS		SCALE 8:1	
FINISH -		SHEET 1 OF 1	
WEIGHT -			

CUSTOMER DRAWING