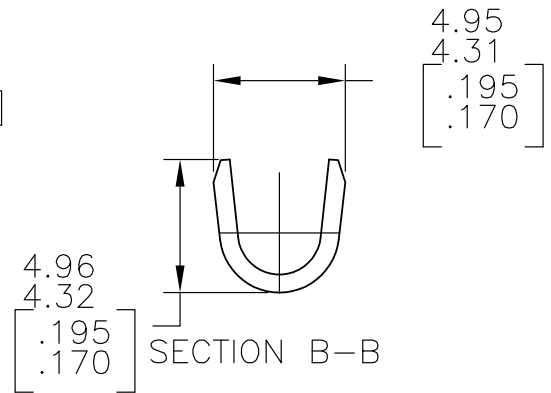
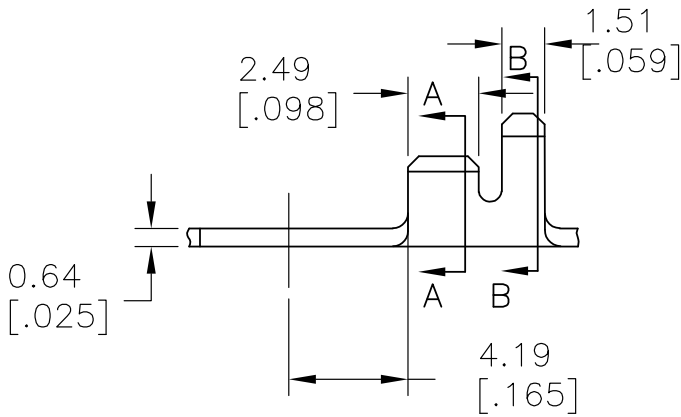
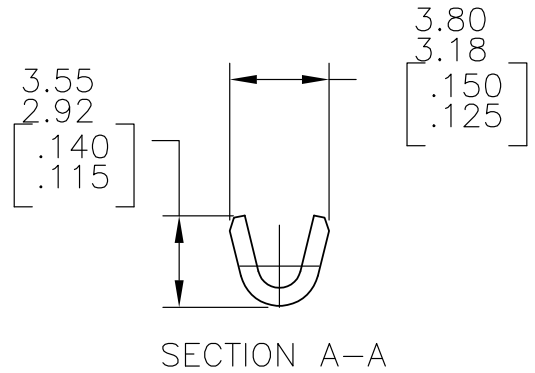
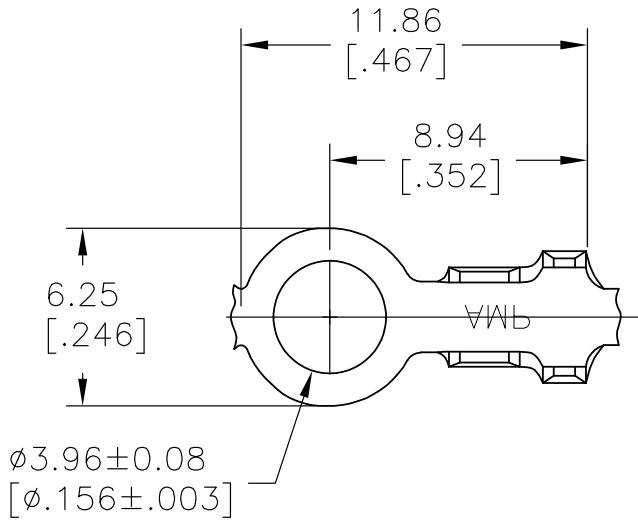


LOC	DIST	REVISIONS					
AF	—	P	LTR	DESCRIPTION	DATE	DWN	APVD
			D1	REVISED PER ECR-10-019776	22OCT10	HMR	PD



- 1 CONTINUOUS STRIP, ON REELS
- 2 WIRE SIZE: #20-16 AWG
- 3 INSULATION RANGE # .100-.135

THIS DRAWING IS UNPUBLISHED. ALL INTERNATIONAL RIGHTS RESERVED. BY TYCO ELECTRONICS CORPORATION. © COPYRIGHT

41471  
PART NUMBER

DIMENSIONS: mm [INCHES]	DWN	RAGHAVENDRA	22OCT10	MATERIAL	BRASS	FINISH	—	
	CHK	DESANTIS PETER	22OCT10	Tyco Electronics Corporation Harrisburg, PA 17105-3608				
TOLERANCES UNLESS OTHERWISE SPECIFIED:	APVD	DESANTIS PETER	22OCT10					
0 PLC ± -	PRODUCT SPEC	NAME						
1 PLC ± -	—	RING						
2 PLC ± -	APPLICATION SPEC	SIZE	CAGE CODE	DRAWING NO	RESTRICTED TO			
3 PLC ± .015	—	A4	00779	④-41471	—			
4 PLC ± -	WEIGHT	CUSTOMER DRAWING					SCALE	4:1
ANGLES ± 1°	—						SHEET	1 OF 1
							REV	D1