

4

3

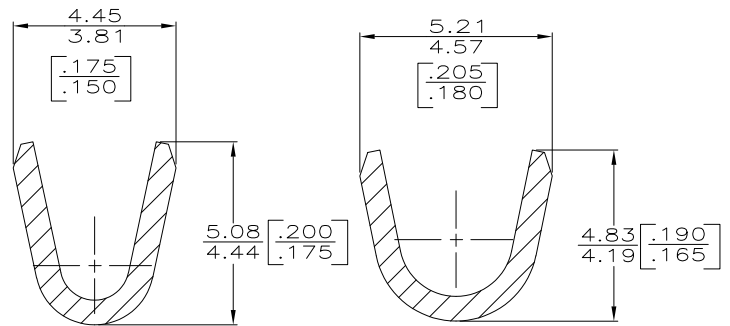
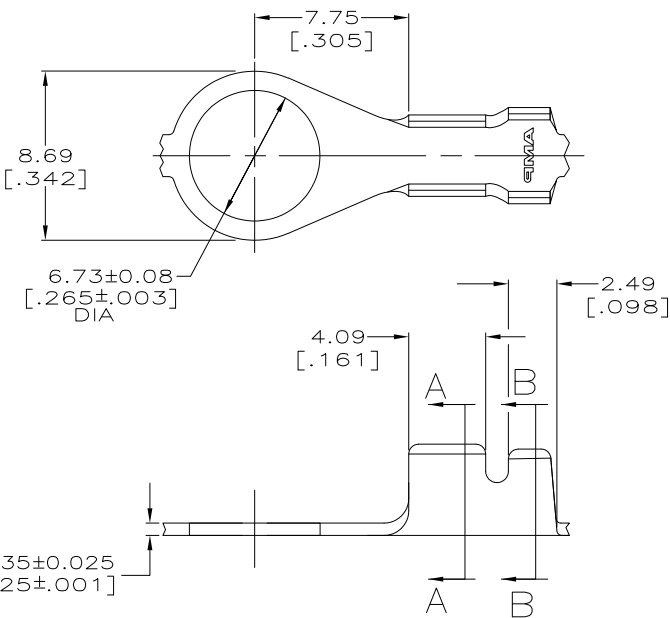
2

1

THIS DRAWING IS UNPUBLISHED. RELEASED FOR PUBLICATION
 © COPYRIGHT BY TYCO ELECTRONICS CORPORATION. ALL INTERNATIONAL RIGHTS RESERVED.

LOC	DIST	REVISIONS				
P	LTR	DESCRIPTION	DATE	DWN	APVD	
AF	50	V	REVISED PER ECR-08-008189	24NOV08	HMR DD	

1 CONTINUOUS STRIP ON REEL.



SECTION A-A
SCALE 10:1

SECTION B-B
SCALE 10:1

2.54-3.56 DIA [.100-.140]	[18-14] AWG	60625-1
INSULATION RANGE	WIRE RANGE	PART NO
DWN PHILLIP M FORTNEY 07/APR/95 CHK JEFF R RUTH 07/APR/95 APVD GARY YETTER 07/APR/95 Tyco Electronics Tyco Electronics Corporation Harrisburg, PA 17105-3608 RING		
MATERIAL 082 BRASS		RESTRICTED TO
FINISH TIN PLATING		SCALE 5:1 SHEET 1 OF 1 REV V
CUSTOMER DRAWING		SIZE A3 CAGE CODE 00779 DRAWING NO C-60625

THIS DRAWING IS A CONTROLLED DOCUMENT.	
DIMENSIONS: mm [INCHES]	TOLERANCES UNLESS OTHERWISE SPECIFIED:
0 PLC ± -	1 PLC ± -
2 PLC ± 0.25 [010]	3 PLC ± -
4 PLC ± -	4 PLC ± -
ANGLES ± -	