

4

3

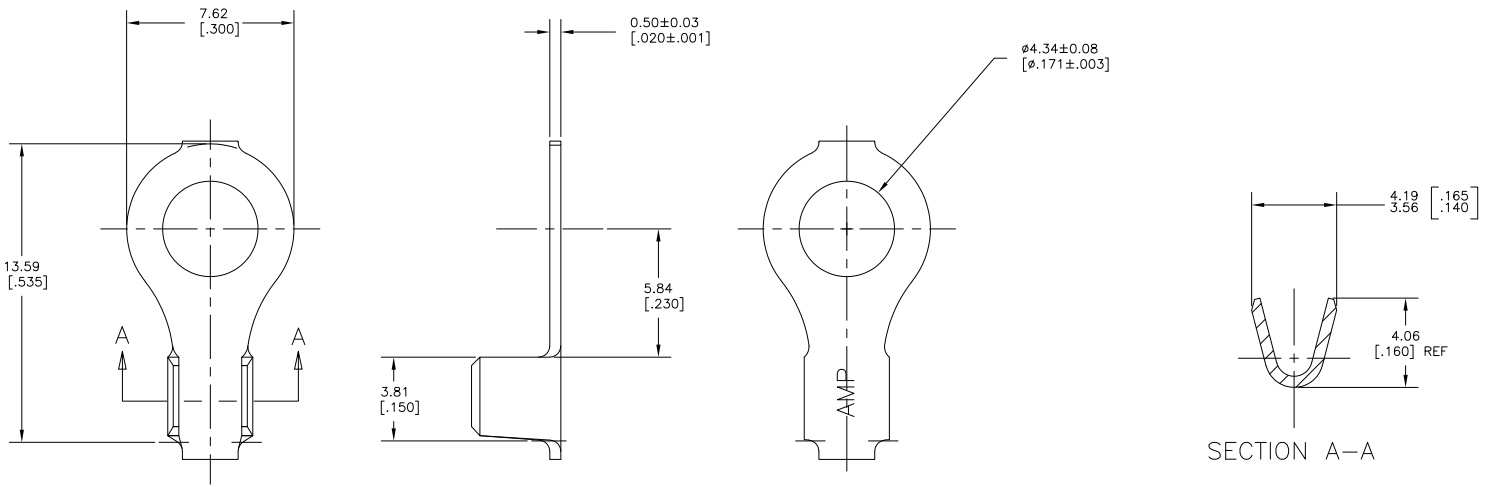
2

1

THIS DRAWING IS UNPUBLISHED. RELEASED FOR PUBLICATION  
 © COPYRIGHT BY TYCO ELECTRONICS CORPORATION. ALL RIGHTS RESERVED.

LOC	DIST	REVISIONS			
P	LTR	DESCRIPTION	DATE	BY	APPD
AF	50	J1	REDRAWN PER ECR-07-029463	6DEC07	MF DD

- 1 CONTINUOUS STRIP ON REELS.
- 2 WIRE RANGE: 0.8-2.0mm<sup>2</sup> [#18-#14] AWG.



34812

PART NUMBER

THIS DRAWING IS A CONTROLLED DOCUMENT.		DRW: MICHAEL S. FEHNER 180C12007	Tyco Electronics Corporation Harrisburg, PA 17105-3608
DIMENSIONS: mm [INCHES]		CHK: DONALD F. DECKER 180C12007	
OTHERS' DIMENSIONS: OTHERS' SPEC' REF.		APPD: DONALD F. DECKER 180C12007	NAME: TERMINAL RING NUMBER 8 STUD SIZE M4 METRIC
MATERIAL: 082 BRASS		APPLICATION SPEC: -	RESTRICTED TO: -
FINISH: -		WEIGHT: -	SIZE: A2 CAGE CODE: 00779 DRAWING NO: C=34812
		CUSTOMER DRAWING	SCALE: 8:1 SHEET: 1 of 1 REV: J1

AMP 1471-9 REV 31MM2000

34812

A