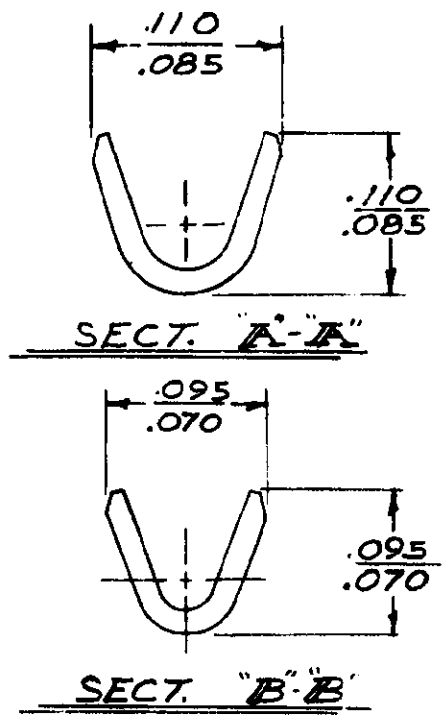
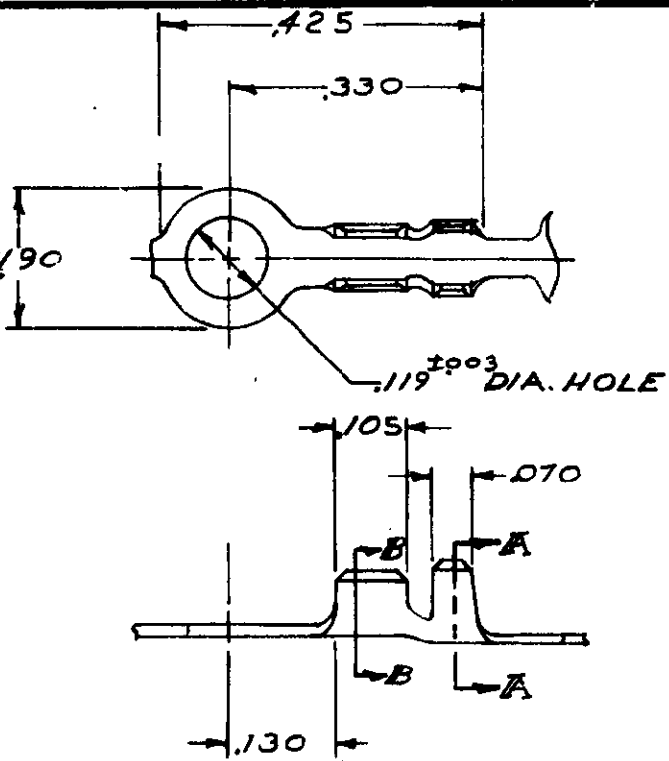


DRAWING MADE IN AMERICAN PROJECTION

NUMBER 42547



**CONTINUOUS STRIP ON REELS**

WIRE SIZE A.W.G.	INSULATION RANGE	MATERIAL - FINISH	PART NUMBER
26-22	.040 - .060	.014 BRASS - NONE	42547-1
		.014 BRASS - TIN	-2
		.014 BRASS - GOLD	-3
		.014 BRASS - PRE TIN LEAD	-4

⚠ OBSOLETE FOR SUBSIDIARY USE ONLY.

DIMENSIONS IN INCHES. DO NOT SCALE PRINT.

©1968 BY AMP INCORPORATED, ALL RIGHTS RESERVED. AMP PRODUCTS COVERED BY PATENTS AND/OR PATENTS PENDING.

**CUSTOMER COPY REFERENCE ONLY**



AMP INCORPORATED  
HARRISBURG, PENNA.

F	OBsolete 42547-2	3874	1/28/68
E	REDRAWN		
LTR	REVISION RECORD	ECN	DR / CHK / DATE
DR	M. E. NE...	DE	R.P. F...
CHK	M. E. NE...	APP	R.P. F...

MATERIAL AND FINISH

WIRE RANGE INSULATION TYPE

TOLERANCE EXCEPT AS NOTED ±.015 ±.1°

SCALE  $\frac{1}{4}$

LOC AF

NO 42547

REV F

NAME RING