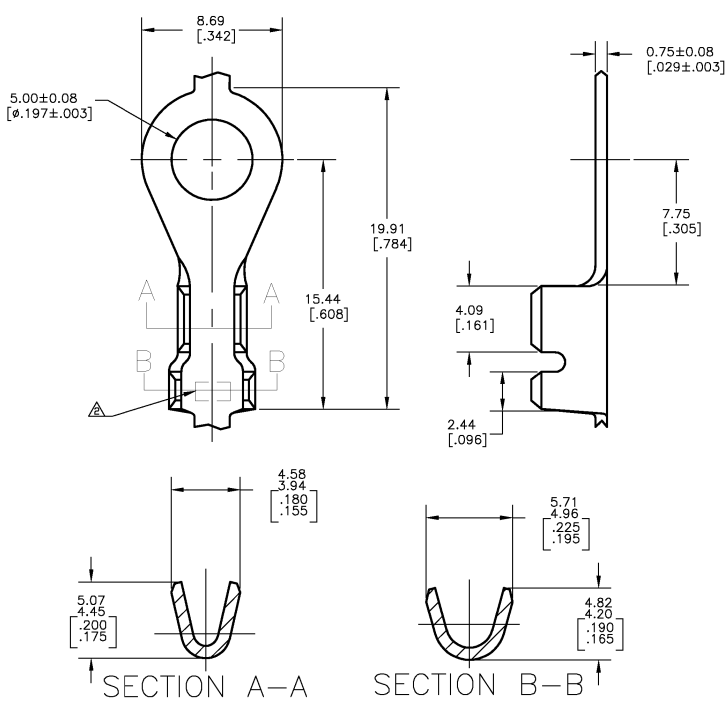


THIS DRAWING IS UNPUBLISHED.
 RELEASED FOR PUBLICATION
 © AMPHENOL BY TYCO ELECTRONICS CORPORATION. ALL RIGHTS RESERVED.

LOC		DIST		REVISIONS			
TO	BY	DATE	DESCRIPTION	DATE	BY	APP'D	
W			REDRAWN PER OG3A-0198-01	04APR01	MF	DD	

- CONTINUOUS STRIP ON REELS.
- AMP STAMP.



0.8-2.0mm ² [18-14] AWG	2.54-3.56 [.100-.140] DIA	40661
WIRE RANGE	INSULATION RANGE	PART NUMBER

THIS DRAWING IS A CONTROLLED DOCUMENT.		DRN MICHAEL S. FISHER 25MAR2001	CHK DONALD DECKER 04APR01	AMP Tyco Electronics Corporation Harrisburg, PA 17105
DIMENSIONS: mm [INCHES]	TOLERANCES UNLESS OTHERWISE SPECIFIED:	BY DONALD DECKER	DATE 04APR01	NAME #10 STUD, TERMINAL, TONGUE, RING
Ø F/LC ± .010	F/LC ± .010	APPLICATION SPEED	SIZE A2	DATE CODE 00779
MATERIALS Ø82 BRASS	FINISH	WEIGHT	SCALE 6:1	RESTRICTED TO CUSTOMER DRAWING
		SCALE 6:1		SHEET 1 OF 1 REV W

AMP 1471-9 REV 31MAR2000
 25JUL00 8:20am amp02644

40661