

4

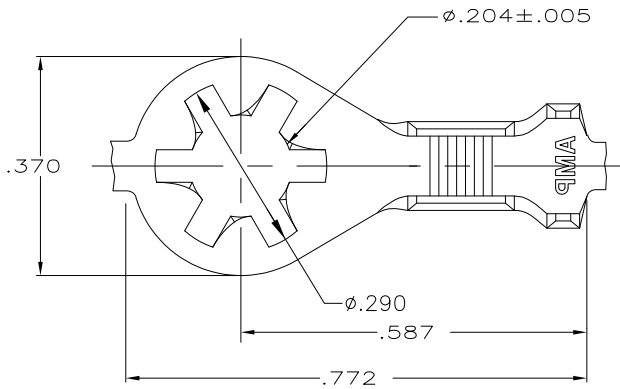
3

2

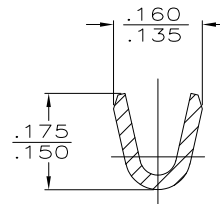
1

THIS DRAWING IS UNPUBLISHED. RELEASED FOR PUBLICATION  
 © COPYRIGHT - BY TYCO ELECTRONICS CORPORATION. ALL RIGHTS RESERVED.

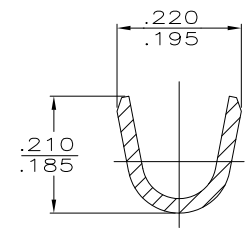
LOC	DIST	REVISIONS				
P	LTR	DESCRIPTION	DATE	DWN	APVD	
AF	50					
	D2	REVISED PER ECR-10-005263	10MAR10	HMR	PD	



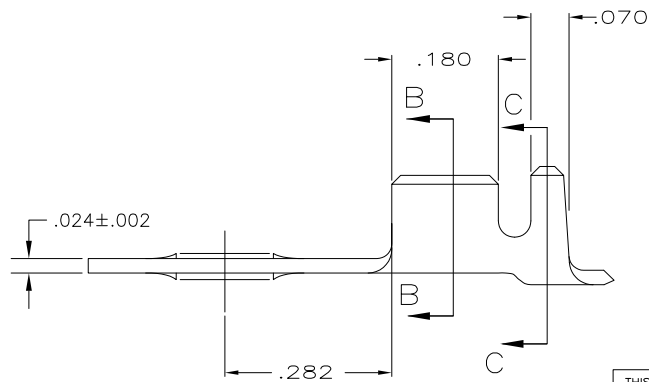
1 CONTINUOUS STRIP, ON REELS



SECTION B-B



SECTION C-C



.105 - .145	18 - 14	640052-1
INSULATION RANGE	WIRE RANGE	Part Number

THIS DRAWING IS A CONTROLLED DOCUMENT.		DWN RAGHAVENDRA 10APROB	Tyco Electronics Corporation Harrisburg, PA 17105-3608	
DIMENSIONS: INCHES	TOLERANCES UNLESS OTHERWISE SPECIFIED:	CHK D.F. DECKER 10APROB	NAME D.F. DECKER	
	0 PLC ± -	APVD D.F. DECKER 10APROB	PRODUCT SPEC	
	1 PLC ± -		APPLICATION SPEC	
	2 PLC ± -		WEIGHT	
	3 PLC ± .015		SIZE CAGE CODE DRAWING NO	
4 PLC ± -			RESTRICTED TO	
ANGLES ± -			A3 00779 C-640052	
MATERIAL STAINLESS STEEL	FINISH NONE	CUSTOMER DRAWING		SCALE 6:1 SHEET 1 OF 1 REV D2