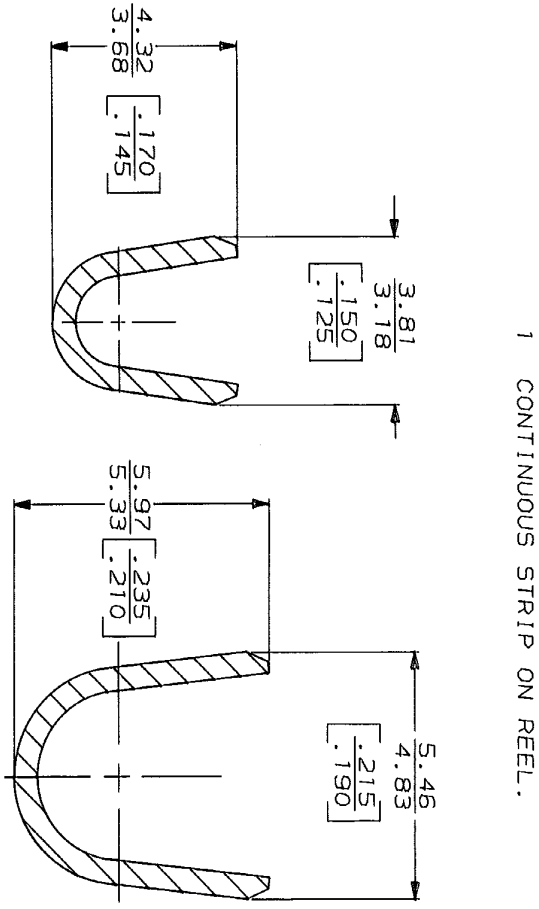
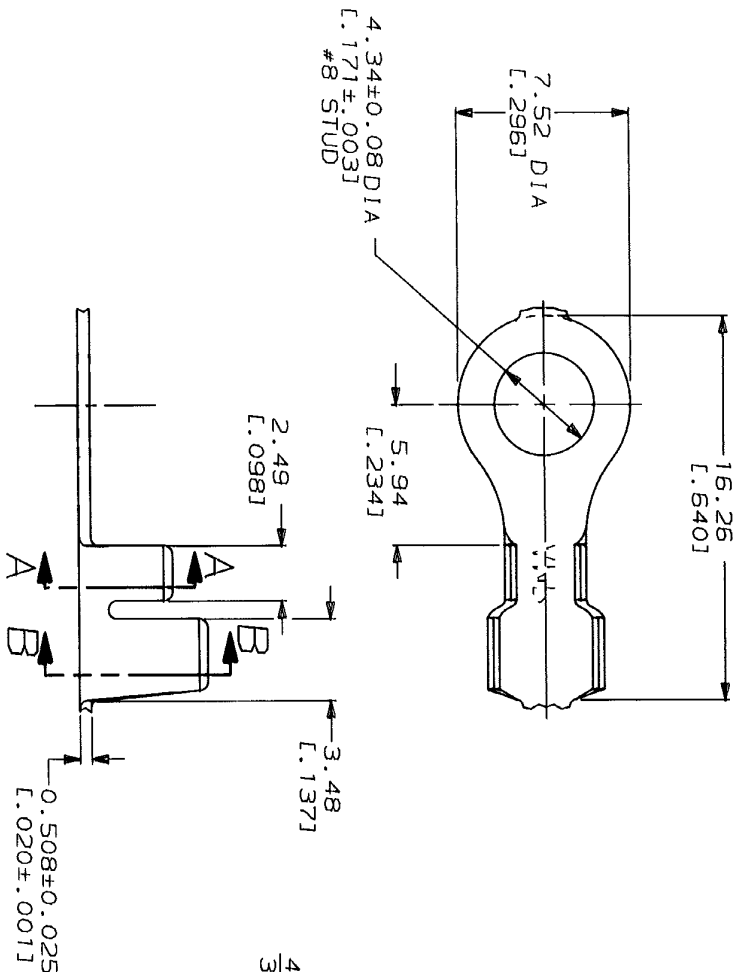


DRAWING MADE IN THIRD ANGLE PROJECTION  
 THIS DRAWING IS UNPUBLISHED. RELEASED FOR PUBLICATION BY AMP INCORPORATED. ALL INTERNATIONAL RIGHTS RESERVED. © COPYRIGHT 19

LOC	DIST	P	F	ZONE	LTR	REVISIONS	DATE	APPD
AF	50				M	REDRAM AND SEPARATED FROM 40623 PER AF-7551	7/22/91	PF/GY



**METRIC**

TYPE	WIDTH	STRIP LENGTH ±0.38 [±.015]	TYPE	WIDTH	WIRE HEIGHT ±0.051 [±.002]	WIRE
F OR 0	4.57 [180]	4.06 [160]	F	3.05 [120]	1.83 [072]	2.03 [080]
INSUL BARREL CRIMP			WIRE BARREL CRIMP		1.70 [067]	2.04 [L.4]

DO NOT SCALE PRINT. DIMENSIONS SPECIFIED IN PARENTHESES 3 P.L.C. DEC ± 0.25 [L.010] MATERIAL: 082 BRASS	DR 7/22/91 P FORTNEY CHK 8/9/91 APPD 8/12/91 PRODUCT SPEC	3.05-4.32 DIA [L.120-.170] INSULATION RANGE	0.8-2.0mm [18-14] AWG WIRE RANGE	41559 PART NO
--	---	--	-------------------------------------	------------------

AMP 1470-15 REV 11-89 134-10 AMP 7725 40623 PER AF-7551 7/22/91  
 CUSTOMER DRAWING RING