

4

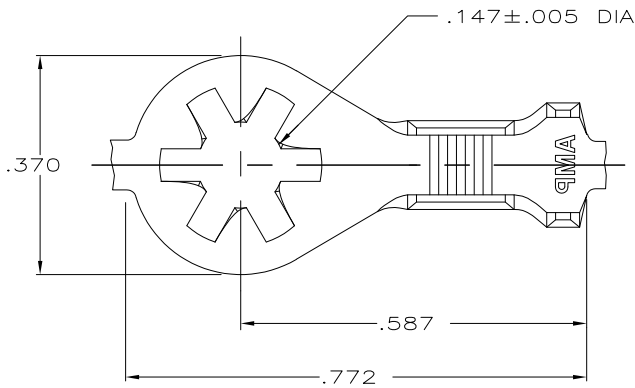
3

2

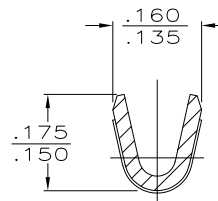
1

THIS DRAWING IS UNPUBLISHED. RELEASED FOR PUBLICATION
 © COPYRIGHT - By - ALL RIGHTS RESERVED.

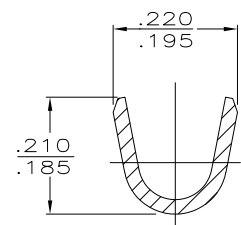
LOC	DIST	REVISIONS			
P	LTR	DESCRIPTION	DATE	DWN	APVD
AF	50				
	K1	REVISED PER ECO-11-004917	11MAR11	RK	HMR



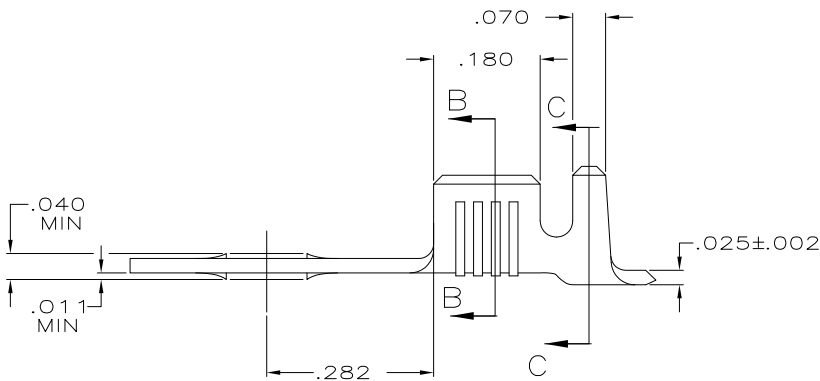
- 1 CONTINUOUS STRIP ON REELS
- △2 .000080 MIN TIN PLATE
- △3 .000150 MIN TIN PLATE
- △4 PRELIMINARY - NOT FOR PRODUCTION



SECTION B-B



SECTION C-C



△3	.105-.145	18-14	△4	61793-4
NICKEL PL	.105-.145	18-14	△4	61793-2
△2	.105-.145	18-14		61793-1
FINISH	INSULATION RANGE	WIRE SIZE	PART NO	

THIS DRAWING IS A CONTROLLED DOCUMENT.		DWN	5/15/87	
		CHK	D. HOLLINGSWORTH	
		CHK	11/23/87	
		CHK	S. YETTER	
		APVD	12/2/87	
		APVD	RP. FRANTZ	
		NAME		
		TE Connectivity		
		RING		
		SIZE	CAGE CODE	DRAWING NO
		A3	00779	C-61793
		RESTRICTED TO		
		-		
		WEIGHT	-	
		CUSTOMER DRAWING		
		SCALE	SHEET	REV
		6:1	1 of 1	K1